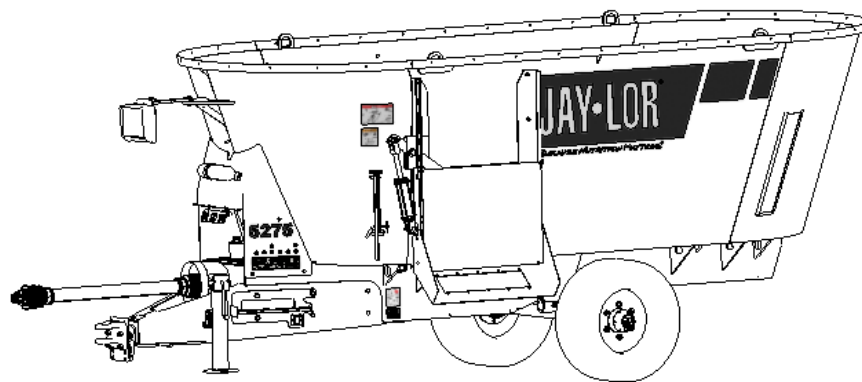


JAY•LOR[®] *BECAUSE
NUTRITION
MATTERS.*[™]

PARTS BOOK

5000 SERIES TWIN AUGER

MODEL 5275



"Because Nutrition Matters™"

Jaylor

071213 10th Line, East Garafraxa, Ontario, L9W6Z9 Tel: (519) 787-9353 Fax: (519) 787-7053

TABLE OF CONTENTS

A.	INTRODUCTION	2
B.	CONTACT INFORMATION	2
C.	GENERAL INFORMATION.....	2
D.	PART NUMBERING SYSTEM.....	3
E.	SERIAL NUMBER LOCATION.....	3
F.	001 – DRUM PARTS.....	4
	Viewing Window.....	5
	Restrictor Blade.....	6
	Plastic Extension.....	7
	Door, Door Track & Door Shielding	8
	Door Arm.....	9
G.	002 – FRAME / HITCH PARTS	10
	Front Frame.....	11
	Underframe Shielding.....	12
	Adjustable Hitch	13
H.	004 – WHEELS, HUBS & AXLES	14
	Undercarriage.....	15
	6-Bolt Hub.....	16
I.	005 – AUGER PARTS	17
	Auger and Knives	18
J.	006 – CONVEYOR PARTS	19
	C-Side Discharge Chute.....	20
	36in Belt Conveyor Base Assembly.....	21
	36in Belt Conveyor Shields & Mounts	22
	36in Belt Conveyor Hydraulics.....	23
K.	007 – DRIVELINE PARTS.....	24
	Sprockets & Gearbox.....	25
	Chains & Tensioners	26
	Power Take-Off (PTO).....	27
L.	008 – LUBE SYSTEM PARTS	28
	Grease Lines	29
M.	009 – Hydraulic Parts.....	30
	Door Hydraulics (C-Side Front Left or Front Right Door).....	31
	Door Hydraulics (C-Side Rear Right or Rear Left Door).....	32
N.	010 – Scale Parts	33
	Scale System	34
O.	012 – DECALS	35
	Safety Decals	36

A. INTRODUCTION

This Dealer Copy of the Parts Book contains common and general information applicable to the Jaylor Mixers. It has been carefully designed to ensure that correct and accurate information is portrayed in every area of a typical unit, enabling efficient and effective service to the end user of Jaylor's products.

The format of this book consists of a fundamental breakdown of components and assemblies according to the area in which they are located or function on the machine. Each area of section contains illustrative information regarding a part or an assembly, along with information such as part numbers and quantities included. For details and pricing information regarding parts and assemblies depicted in the illustrations please contact Jaylor. Our service personnel will be more than willing to assist you in obtaining information as it pertains to Jaylor's line of products. Information and pricing for non-stock and/or custom items will be quoted on request.

Note:

Parts and assemblies in this book may not be exactly as shown. Jaylor reserves the right to make any changes/revisions/amendments at any time as deemed necessary to ensure that correct information is provided.

B. CONTACT INFORMATION

Contact Jaylor at:



**071213 10th Line
East Garafraxa, ON
Canada
L9W 6Z9**

Phone: (519) 787-9353
Fax: (519) 787-7053
E-mail: jaylor@jaylor.com
On the web: www.jaylor.com

C. GENERAL INFORMATION

It is important to use extreme caution when performing any type of service to this equipment. General information regarding service procedures and intervals is covered in the Owner Manual provided with the new product. For more specific product service, please contact Jaylor to obtain Technical Service Bulletins that outline the procedures and requirements for such.

It is also important to ensure that only Jaylor genuine or approved parts are to be used where applicable. Mismatched or incorrect components can result in machine damage or malfunction, or possibly personal injury.

D. PART NUMBERING SYSTEM

Jaylor's part numbering system consists of eleven digits as shown below:

XXX-000-12345

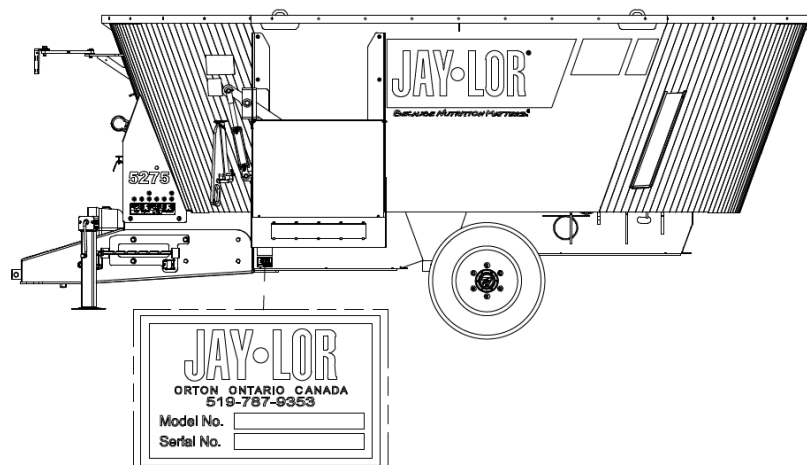
The first three digits are the **Product Group Code** (PGC), which consists of three alpha characters which will be referred to as (XXX). The next three numeric digits will be referred to as (000) and represent the **Product Code** (PC). The next five numeric digits represent the **Part Number** (PN) and are referred to as (12345).

The Product Code (PC) follows the following numbering convention:

PC	Description
000	Universal Parts
001	Drum Parts
002	Frame/Hitch Parts
003	Ladder / Platform Parts
004	Wheel / Hub / Axle Parts
005	Auger Parts
006	Conveyor Parts
007	Driveline / Gearbox Parts
008	Lube Systems
009	Hydraulic and Pneumatic Parts
010	Scale / Lighting Parts
012	Decals

E. SERIAL NUMBER LOCATION

When ordering components for Jaylor products it is important to include the machine model and serial numbers if applicable. The serial number plate is located on the frame of the machine as indicated in the diagram below:

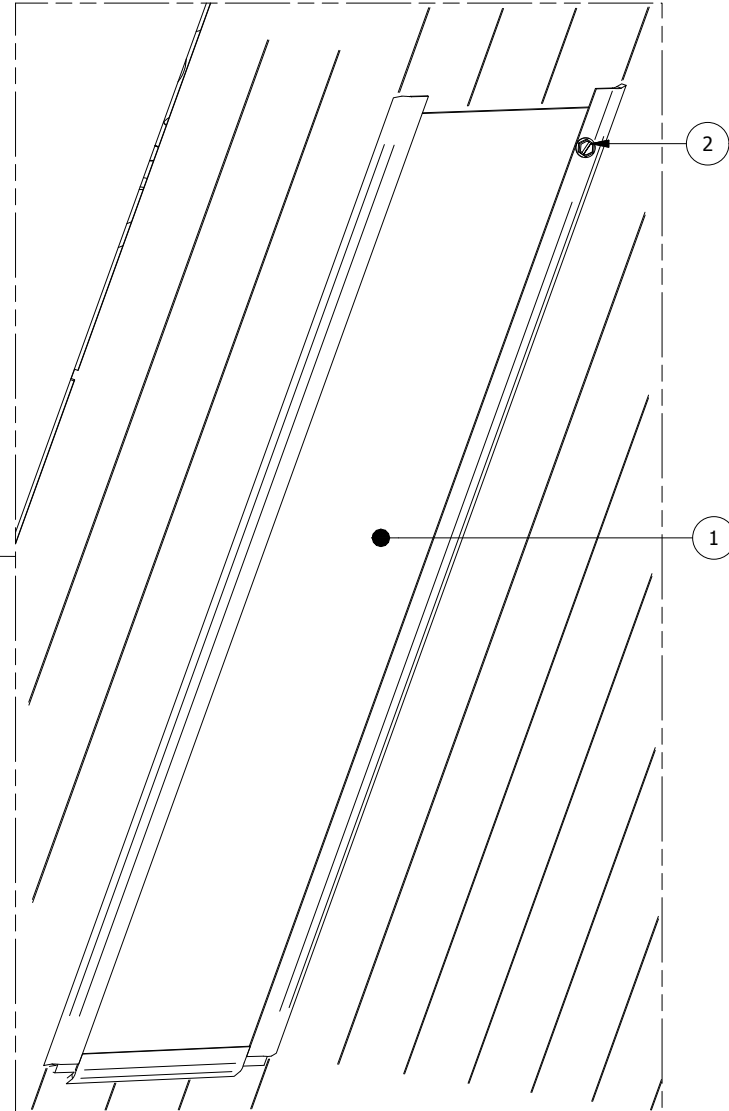
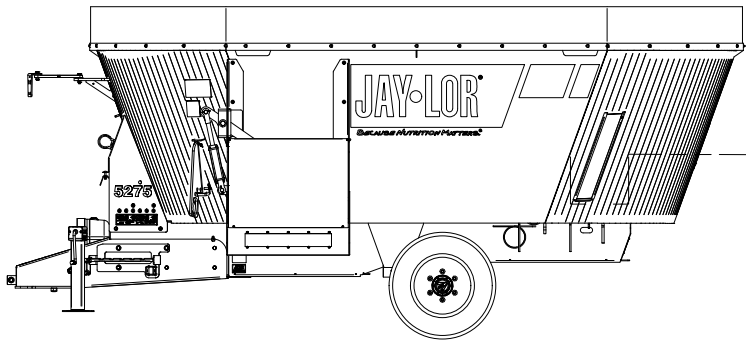


001

DRUM PARTS

Parts List

ITEM	PART NUMBER	DESCRIPTION	QTY
1	AAB-001-00037	WNDW VIEWING	1
2	AAB-015-10144	BOLT HEX SELF-TAPPING 1/4-20 X 1/2L GRD 5	1



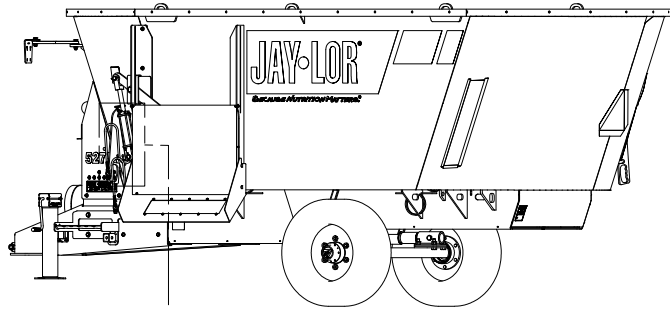
NOTE:

- FRONT RIGHT & LEFT C-SIDE DISCHARGE MODEL ILLUSTRATED
- DUAL LEFT C-SIDE DISCHARGE MODEL VIEWING WINDOW WILL BE LOCATED ON THE OPPOSITE SIDE OF THE MIXING DRUM

DRWN : CDIRamio	TOLERANCES (UNLESS SPECIFIED OTHERWISE)	
DATE : 11/17/2015	FRACTIONAL ± 1/16"	
MAT :	DEC X.X ± 0.1"	
	DEC X.XXX ± 0.06"	
	DEC X.XXX ± 0.031"	
	ANGULAR ± 0.5°	

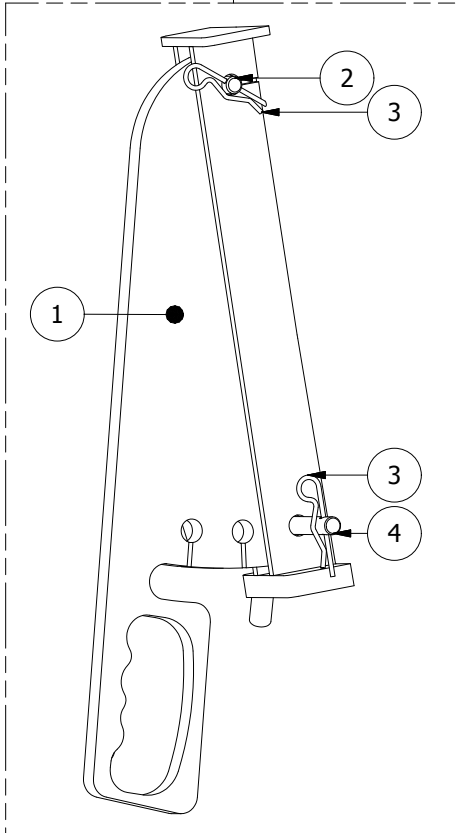
VIEW REP : RTH & LTH DISCHARGE	SHEET 1 OF 1	R#	DATE	DESCRIPTION	DR	CK
TITLE : VIEWING WINDOW (5275)				FILE NO : AAA-054-00169.idw		

CONFIDENTIAL: THESE DRAWINGS AND COPIES THEREOF REMAIN THE PROPERTY OF JAY-LOR FABRICATING INC. ANY PERSON FOUND UNLAWFULLY USING, DISTRIBUTING, OR IN POSSESSION OF THE ABOVE WILL BE PROSECUTED

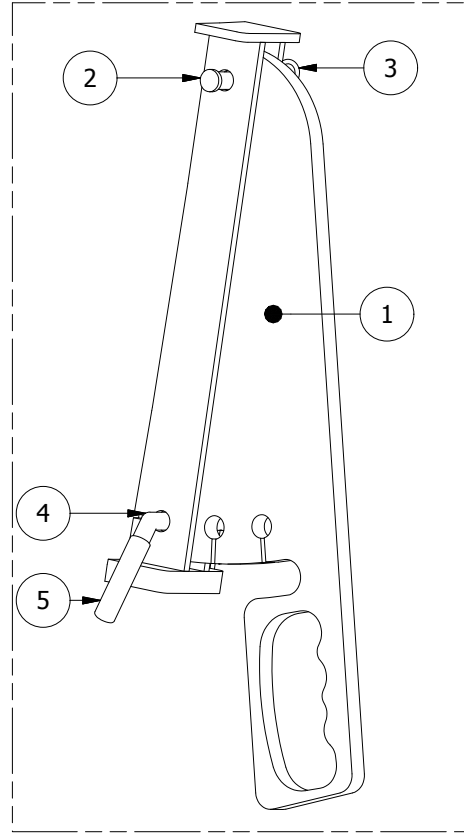


Parts List			
ITEM	PART NUMBER	DESCRIPTION	QTY
1	AAA-001-02121-P3	RB (5150/5275) (BLACK)	2
2	AAB-001-00017	PIN PIVOT 1/2 X 2.41	2
3	AAB-001-00019	PIN HTCH CLIP 1/8 X 2-9/16	4
4	AAB-001-00020	PIN BENT ADJUSTMENT 1/2 X 3-5/8	2
5	AAB-015-40009	GRIP ADJUSTMENT PIN VINYL 1/2 X 2-1/2	2

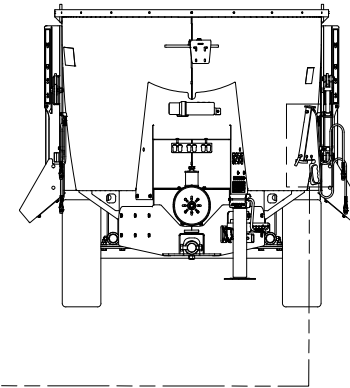
Kit List	
PART NUMBER	AAA-001-02835
DESCRIPTION	RESTRICTOR BLADE KIT (5150/5275)
KIT CONTENTS	1 BLADE, 1 PIVOT PIN, 1 ADJ. PIN, 1 VINYL GRIP, 2 HITCH CLIPS



RIGHT SIDE



LEFT SIDE



NOTE:

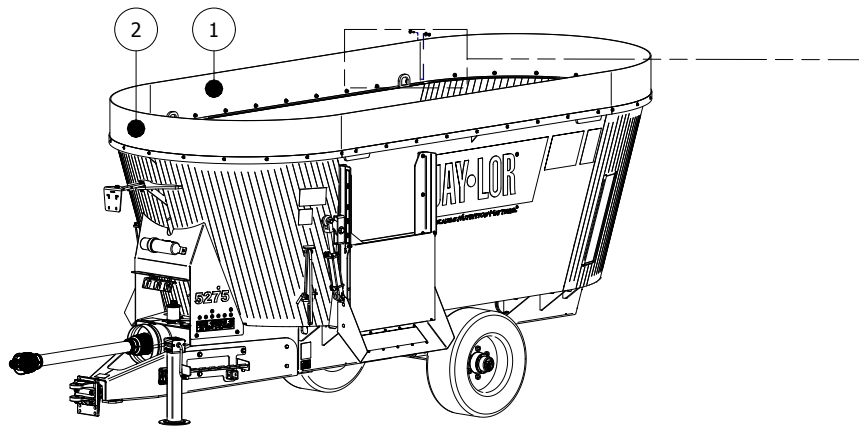
- FRONT LEFT & RIGHT C-SIDE DISCHARGE MODEL ILLUSTRATED
- PART QUANTITIES ARE PER MIXER (EACH MIXER HAS 2 RESTRICTOR BLADES)

VIEW REP : LTH & RTH DISCHARGE	SHEET 1 OF 1	R#	DATE	DESCRIPTION	DR	CK
--------------------------------	--------------	----	------	-------------	----	----

TITLE : RESTRICTOR BLADE (5275)	FILE NO : AAA-054-00239.idw
---------------------------------	-----------------------------

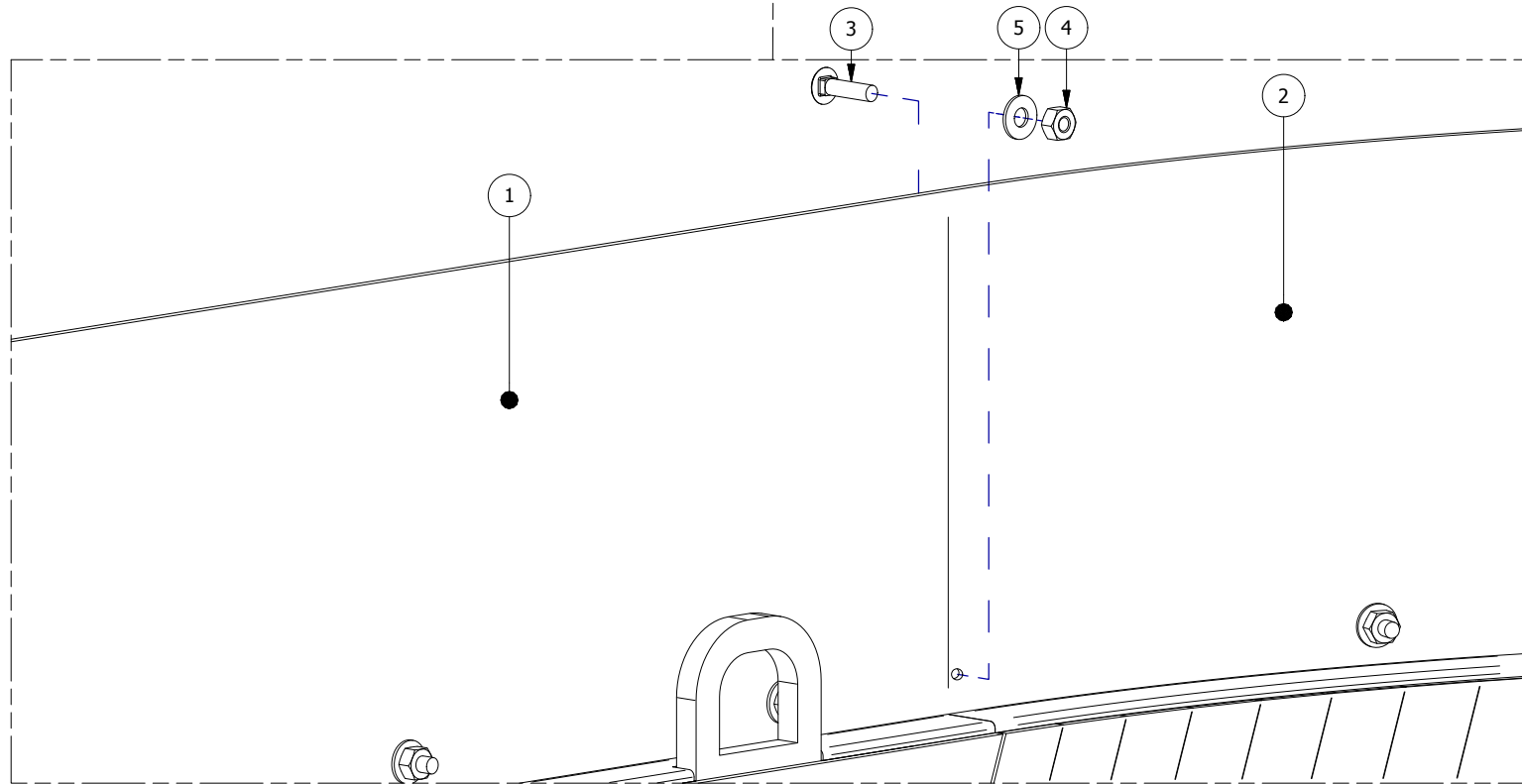
DRWN : CDiRamio	TOLERANCES (UNLESS SPECIFIED OTHERWISE)	
DATE : 11/16/2015	FRACTIONAL ± 1/16"	
MAT :	DEC X.X ± 0.1"	
	DEC X.XXX ± 0.06"	
	DEC X.XXXX ± 0.031"	
	ANGULAR ± 0.5°	

CONFIDENTIAL: THESE DRAWINGS AND COPIES THEREOF REMAIN THE PROPERTY OF JAY-LOR FABRICATING INC. ANY PERSON FOUND UNLAWFULLY USING, DISTRIBUTING, OR IN POSSESSION OF THE ABOVE WILL BE PROSECUTED



Parts List			
ITEM	PART NUMBER	DESCRIPTION	QTY
1	AAA-001-00631	12"H X 144"L HDPE STRIP	2
2	AAA-001-00636	12"H X 96"L HDPE STRIP	2
3	AAB-015-10061	BOLT CARRIAGE 3/8 X 1-1/2 UNC GRD 5	40
4	AAB-015-20017	NUT HEX 3/8 UNC GRD 2	40
5	AAB-015-30012	WSHR FLAT 3/8 USS	40

Kit List	
PART NUMBER	AAA-001-00648
DESCRIPTION	PLASTIC EXTENSION - 12" (5275)
KIT CONTENTS	2 X 12"H 96"L HDPE STRIPS, 2 X 12"H 144"L HDPE STRIPS, 40 X 3/8" CARRIAGE BOLTS, 40 X 3/8" FLAT WASHERS, 40 X 3/8" NUTS



DRWN : CDiRamio
 DATE : 11/19/2015
 MAT :

TOLERANCES (UNLESS SPECIFIED OTHERWISE)
 FRACTIONAL ± 1/16"
 DEC X.X ± 0.1"
 DEC X.XX ± 0.06"
 DEC X.XXX ± 0.031"
 ANGULAR ± 0.5°



VIEW REP	SHEET	R#	DATE	DESCRIPTION	DR	CK
12" EXTENSION	1 OF 1					

TITLE : PLASTIC EXTENSION - 12"H (5275)

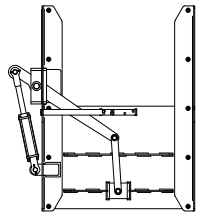
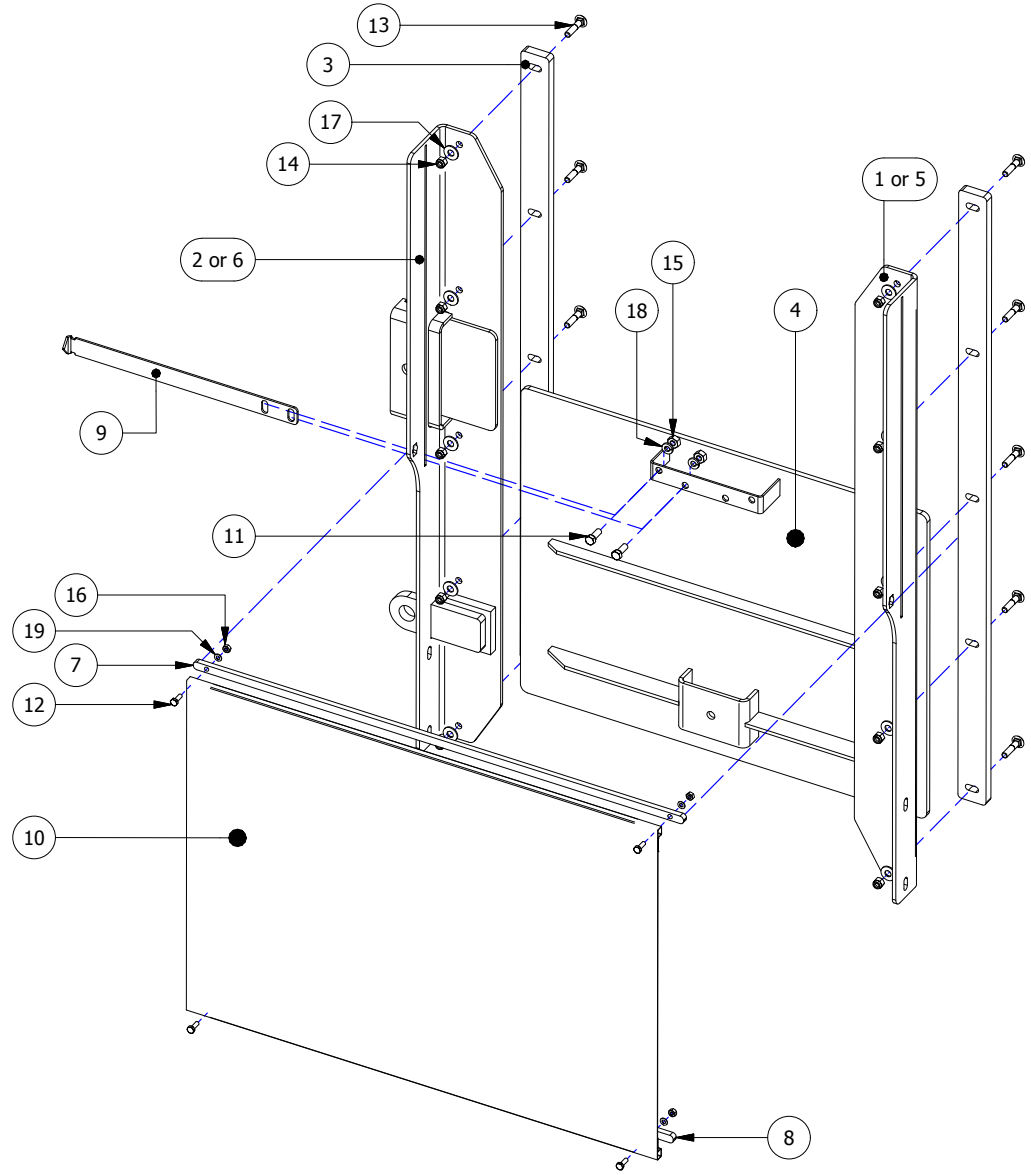
FILE NO : AAA-054-00243.idw

CONFIDENTIAL: THESE DRAWINGS AND COPIES THEREOF REMAIN THE PROPERTY OF JAY-LOR FABRICATING INC. ANY PERSON FOUND UNLAWFULLY USING, DISTRIBUTING, OR IN POSSESSION OF THE ABOVE WILL BE PROSECUTED.

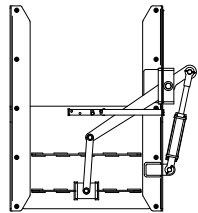
Parts List			
ITEM	PART NUMBER	DESCRIPTION	QTY
1	AAA-001-02081	C-SIDE DOOR TRACK (FRT RTH OR REAR LTH) (5150/5275)	1
2	AAA-001-02087	C-SIDE DOOR TRACK WELDMENT (FRT RTH OR REAR LTH) (5150/5275)	1
3	AAA-001-02088	C-SIDE DOOR SPCR 5/8T (5150/5275)	2
4	AAA-001-02093	C-SIDE DOOR WELDMENT (5150/5275)	1
5	AAA-001-02097	C-SIDE DOOR TRACK (FRT LTH OR REAR RTH) (5150/5275)	1
6	AAA-001-02099	C-SIDE DOOR TRACK WELDMENT (FRT LTH OR REAR RTH) (5150/5275)	1
7	AAA-001-02105	C-SIDE SHIELD UPPR CROSS BAR 48.935L X 3/8T (5150/5275)	1
8	AAA-001-02106	C-SIDE SHIELD LWR CROSS BAR 46.935L X 3/8T (5150/5275)	1
9	AAA-001-02115-P3	C-SIDE DOOR HEIGHT INDICATOR 1/8T (5150/5275) (BLACK)	1
10	AAB-001-00051	C-SIDE TARP DISCHARGE SHIELD 40 OZ (5275)	1
11	AAB-015-10056	BOLT HEX 3/8 X 1 UNC GRD 2	2
12	AAB-015-10089	BOLT HEX 1/4 X 3/4 UNC GRD 5	4
13	AAB-015-10171	BOLT CARRIAGE 3/8 X 1-3/4 UNC GRD 5	10
14	AAB-015-20012	NUT HEX 3/8 LOCK NYLON GRD 2	10
15	AAB-015-20017	NUT HEX 3/8 UNC GRD 2	2
16	AAB-015-20036	NUT HEX 1/4 UNC GRD 5	4
17	AAB-015-30012	WSHR FLAT 3/8 USS	10
18	AAB-015-30017	WSHR LOCK 3/8	2
19	AAB-015-30025	WSHR FLAT 1/4	4

NOTE:

- FRONT LEFT C-SIDE DOOR ILLUSTRATED
- PART QUANTITIES ARE PER DOOR



FRONT LEFT / REAR RIGHT
C-SIDE DOOR



REAR LEFT / FRONT RIGHT
C-SIDE DOOR

VIEW REP : FRT LTH / REAR RTH DOOR	SHEET 1 OF 1	R#	DATE	DESCRIPTION	DR	CK
------------------------------------	--------------	----	------	-------------	----	----

TITLE : DOOR, DOOR TRACK & DOOR SHIELDING (5275)

FILE NO : AAA-054-00244.idw

DRWN : CDiRamio
DATE : 11/17/2015
MAT :

TOLERANCES (UNLESS SPECIFIED OTHERWISE)	
FRACTIONAL	± 1/16"
DEC.X.X	± 0.1"
DEC.X.XX	± 0.06"
DEC.X.XXX	± 0.031"
ANGULAR	± 0.5°

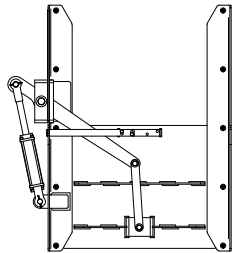
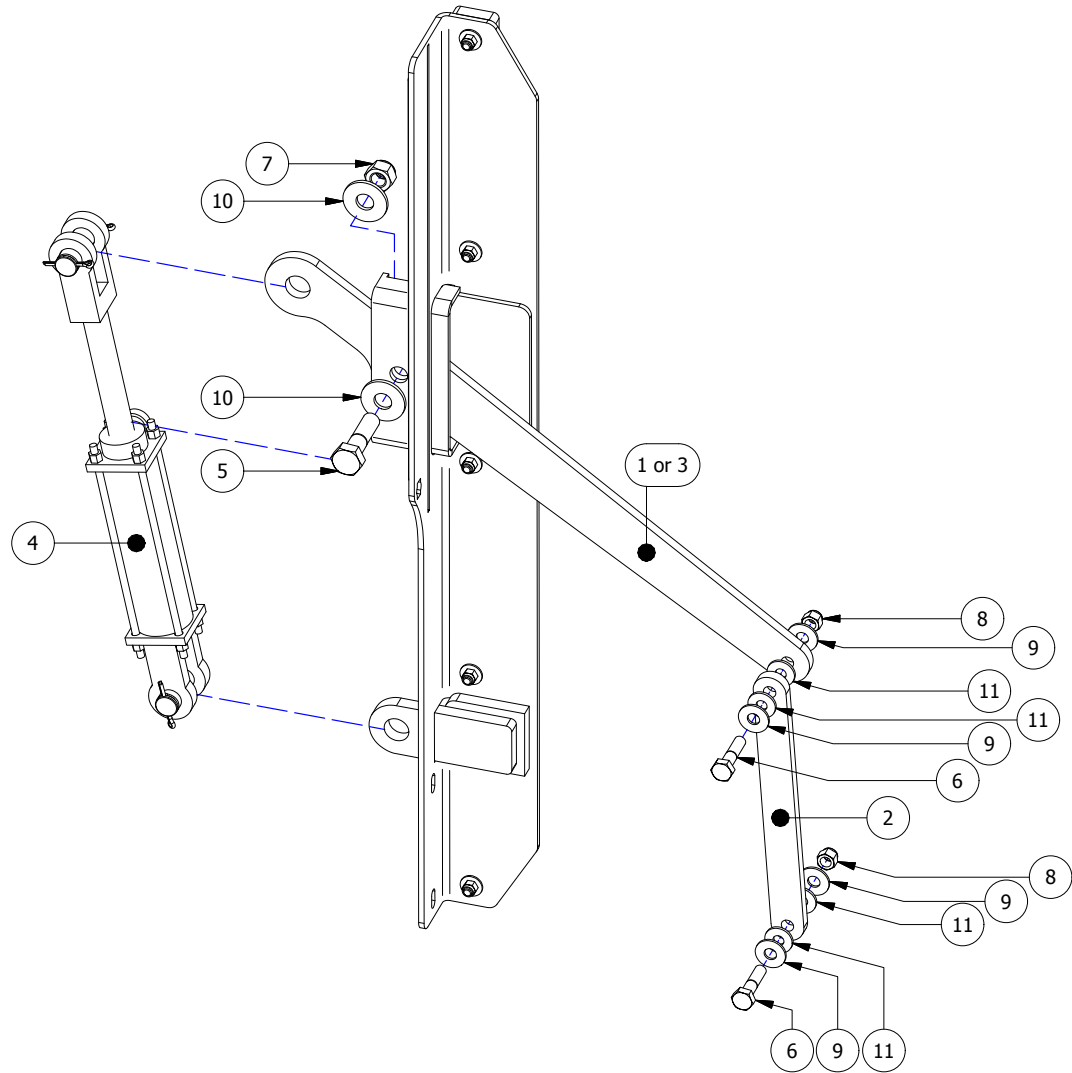


CONFIDENTIAL: THESE DRAWINGS AND COPIES THEREOF REMAIN THE PROPERTY OF JAY-LOR FABRICATING INC. ANY PERSON FOUND UNLAWFULLY USING, DISTRIBUTING, OR IN POSSESSION OF THE ABOVE WILL BE PROSECUTED

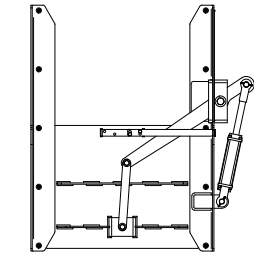
Parts List			
ITEM	PART NUMBER	DESCRIPTION	QTY
1	AAA-001-02101-P3	DOOR ARM FRT RTH OR REAR LTH (5150/5275) (BLACK)	1
2	AAA-001-02102-P3	DOOR LINKAGE 1/2T (5150/5275) (BLACK)	1
3	AAA-001-02108-P3	DOOR ARM (FRT LTH OR REAR RTH) (5150/5275) (BLACK)	1
4	AAB-009-00230	HYD CYDR 6IN STROKE X 2IN BORE	1
5	AAB-015-10079	BOLT HEX 3/4 X 3 UNC GRD 5	1
6	AAB-015-10133	BOLT HEX 1/2-13 X 2-1/4 GRD 5	2
7	AAB-015-20016	NUT HEX LOCK NYLON 3/4 UNC GRD 8	1
8	AAB-015-20019	NUT NYLON LOCK 1/2 UNC GRD 2	2
9	AAB-015-30013	WSHR FLAT 1/2 USS	4
10	AAB-015-30015	WSHR FLAT 3/4 USS	2
11	AAB-015-30034	WASHER NYLON 1/2ID X 1-1/4OD X 1/8T	4

NOTE:

- FRONT LEFT DOOR ARM ILLUSTRATED
- PART QUANTITIES ARE PER DOOR



FRONT LEFT / REAR RIGHT
C-SIDE DOOR



REAR LEFT / FRONT RIGHT
C-SIDE DOOR

VIEW REP : FRT LTH DOOR ARM	SHEET 1 OF 1	R#	DATE	DESCRIPTION	DR	CK
-----------------------------	--------------	----	------	-------------	----	----

TITLE : DOOR ARM (5275)	FILE NO : AAA-054-00245.idw
-------------------------	-----------------------------

DRWN : CDiRamio
DATE : 11/17/2015
MAT :

TOLERANCES (UNLESS SPECIFIED OTHERWISE)	
FRACTIONAL	± 1/16"
DEC X.X	± 0.1"
DEC X.XX	± 0.06"
DEC X.XXX	± 0.031"
ANGULAR	± 0.5°

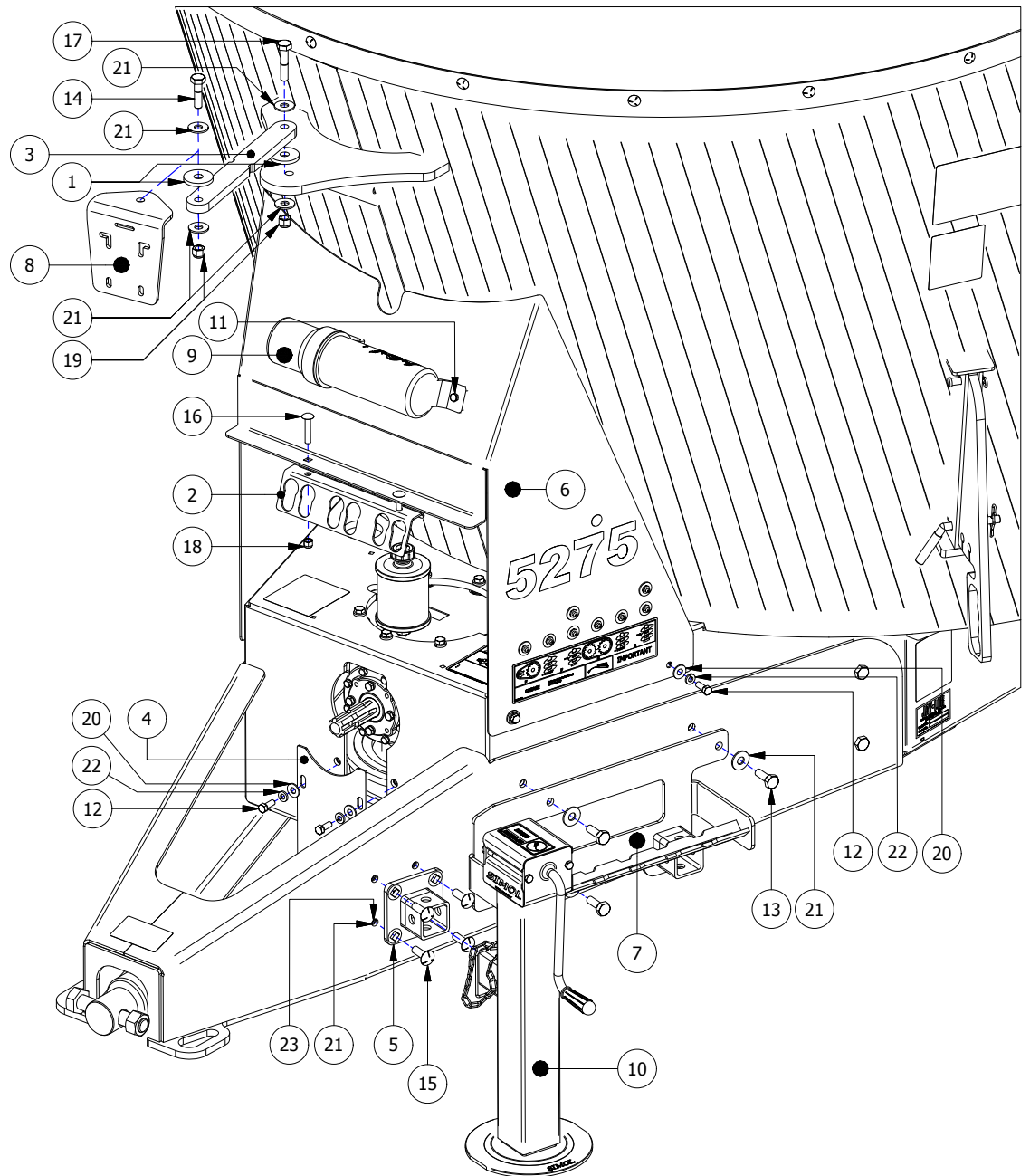


CONFIDENTIAL: THESE DRAWINGS AND COPIES THEREOF REMAIN THE PROPERTY OF JAY-LOR FABRICATING INC. ANY PERSON FOUND UNLAWFULLY USING, DISTRIBUTING, OR IN POSSESSION OF THE ABOVE WILL BE PROSECUTED

002

FRAME PARTS

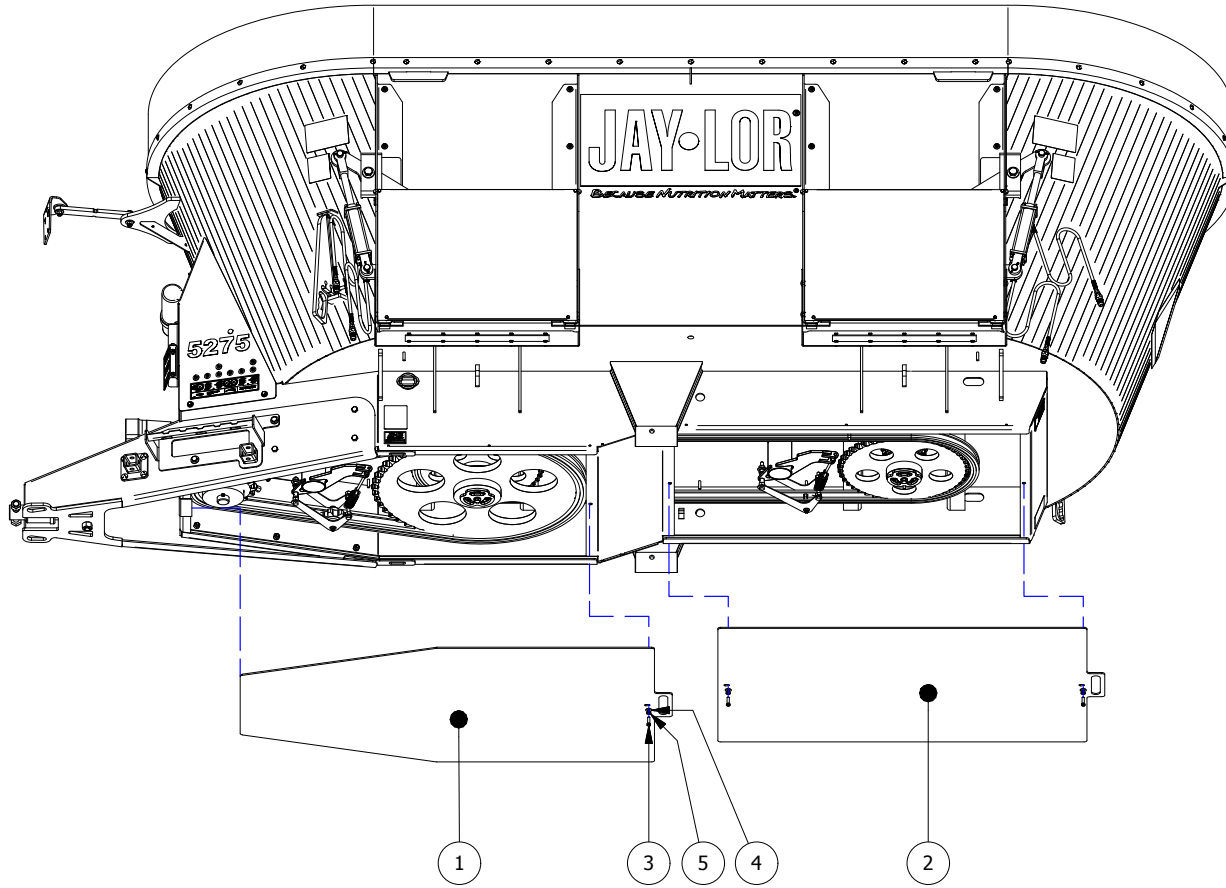
Parts List			
ITEM	PART NUMBER	DESCRIPTION	QTY
1	AAA-000-00059	WSHR URETHANE 2DIA	2
2	AAA-002-00994-P3	HOSE CLAMP 1/8T	1
3	AAA-002-00995	SCALE HEAD SWING ARM 5/8T (PAINTED)	1
4	AAA-002-02055	FRT FRAME COVER PLT 1/8T (5150/5275)	1
5	AAA-002-02067W	SQR TUBE IMP MNT WELDMENT	1
6	AAA-002-02128	HOOD 1/8T (5275) PAINTED	1
7	AAA-003-00315	FRAME STEP & JACK HOLDER WELDMENT	1
8	AAA-010-00048	SCALE HEAD MNT BRKT 1/4T	1
9	AAB-002-00001	MANUAL HOLDER	1
10	AAB-002-00663	SIMOL 4T JACK IMP ASSY W/OUTER SLV, PIN & CHAIN	1
11	AAB-015-10036	BOLT HEX 5/16 X 1 UNC GRD 5	2
12	AAB-015-10056	BOLT HEX 3/8 X 1 UNC GRD 2	6
13	AAB-015-10063	BOLT HEX 1/2 X 1-1/2 UNC GRD 5	3
14	AAB-015-10064	BOLT HEX 1/2 X 2 UNC GRD 5	1
15	AAB-015-10066	BOLT CARRIAGE 1/2 X 1-1/2 UNC GRD 5	4
16	AAB-015-10081	BOLT CARRIAGE 3/8 X 2 UNC GRD 5	2
17	AAB-015-10088	BOLT HEX 1/2 X 2-1/2 UNC GRD 5	1
18	AAB-015-20012	NUT HEX 3/8 LOCK NYLON GRD 2	2
19	AAB-015-20019	NUT NYLON LOCK 1/2 UNC GRD 2	2
20	AAB-015-30012	WSHR FLAT 3/8 USS	6
21	AAB-015-30013	WSHR FLAT 1/2 USS	11
22	AAB-015-30017	WSHR LOCK 3/8	6
23	AAB-015-30018	WSHR LOCK 1/2	4



VIEW REP : FRONT FRAME	SHEET 1 OF 1	R#	DATE	DESCRIPTION	DR	CK
TITLE : FRONT FRAME (5275)				FILE NO : AAA-054-00246.idw		

DRWN : CDiRamio	TOLERANCES (UNLESS SPECIFIED OTHERWISE)	
DATE : 11/17/2015	FRACTIONAL ± 1/16"	
	DEC X.X ± 0.1"	
	DEC X.XX ± 0.06"	
	DEC X.XXX ± 0.031"	
MAT :	ANGULAR ± 0.5°	
<small>CONFIDENTIAL: THESE DRAWINGS AND COPIES THEREOF REMAIN THE PROPERTY OF JAY-LOR FABRICATING INC. ANY PERSON FOUND UNLAWFULLY USING, DISTRIBUTING, OR IN POSSESSION OF THE ABOVE WILL BE PROSECUTED</small>		

Parts List			
ITEM	PART NUMBER	DESCRIPTION	QTY
1	AAB-002-00045	FRAME UNDERSHIELD FRT 1/4T (5275)	1
2	AAB-002-00046	FRAME UNDERSHIELD REAR 1/4T (5275)	1
3	AAB-015-10111	BOLT HEX 3/8 X 1-1/4 UNC GRD 5	3
4	AAB-015-30012	WSHR FLAT 3/8 USS	3
5	AAB-015-30017	WSHR LOCK 3/8	3



NOTE:

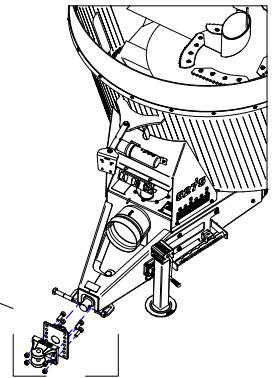
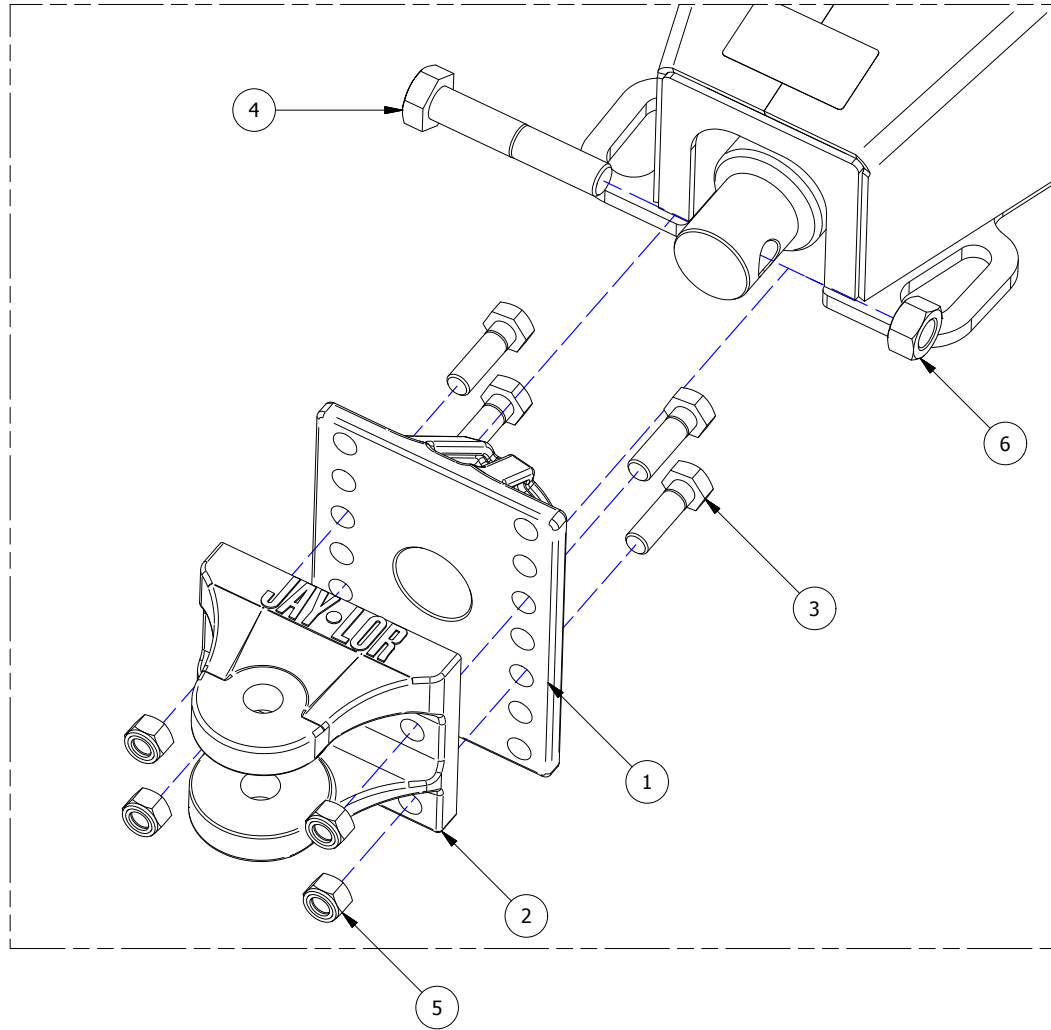
- TIRES AND AXLE NOT SHOWN
- UNDERSHIELDS SLIDE INTO FRAME RAILS

DRWN : CDiRamio	TOLERANCES (UNLESS SPECIFIED OTHERWISE)	
DATE : 11/17/2015	FRACTIONAL ± 1/16"	
MAT :	DEC X.XX ± 0.1"	
	DEC X.XXX ± 0.06"	
	DEC X.XXX ± 0.031"	
	ANGULAR ± 0.5°	

VIEW REP : DUAL LTH C-SIDE	SHEET 1 OF 1	R#	DATE	DESCRIPTION	DR	CK
TITLE : UNDERFRAME SHIELDING (5275)				FILE NO : AAA-054-00247.idw		

Parts List			
ITEM	PART NUMBER	DESCRIPTION	QTY
1	AAB-002-00232-P3	CAST HTCH ADJUSTMENT PLT 2.5DIA X 3.5OD X 3L (BLACK)	1
2	AAB-002-00237-P3	CAST HTCH CLEVIS 7/8T (BLACK)	1
3	AAB-015-10134	BOLT HEX 3/4 X 2-1/2 UNC GRD 8	4
4	AAB-015-10136	BOLT HEX 1 X 5 1/2 UNC GRD 8	1
5	AAB-015-20016	NUT HEX LOCK NYLON 3/4 UNC GRD 8	4
6	AAB-015-20021	NUT HEX 1 UNC GRD 8	1

Kit List	
PART NUMBER	AAA-002-00992
DESCRIPTION	ADJUSTABLE CAST HITCH ASSEMBLY
KIT CONTENTS	1 HITCH ADJUSTMENT PLATE, 1 HITCH CLEVIS, 4 HEX BOLTS (3/4" X 2-1/2"), 4 LOCK NUTS (3/4")



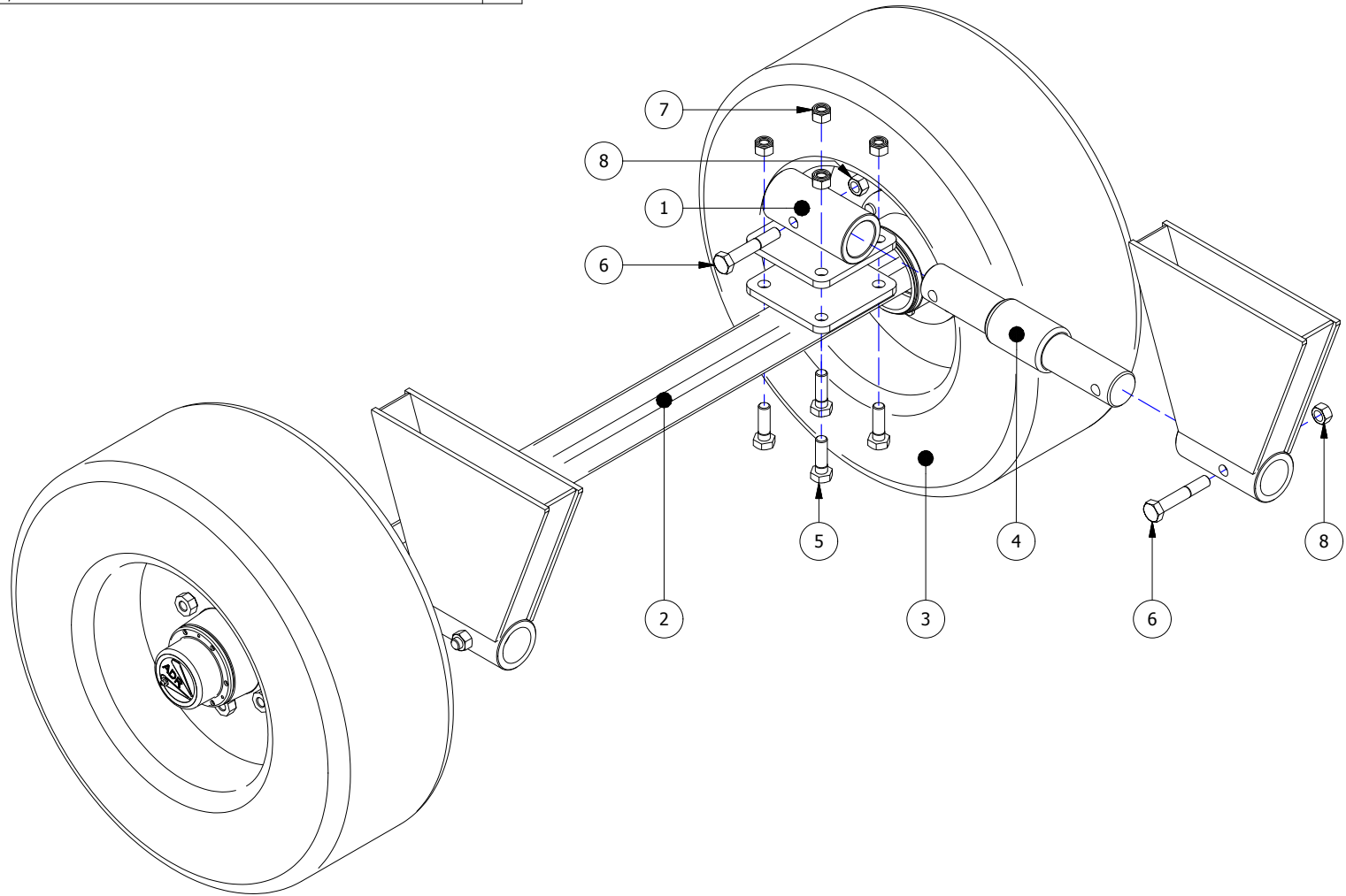
DRWN : CDiRamio	TOLERANCES (UNLESS SPECIFIED OTHERWISE)	
DATE : 11/17/2015	FRACTIONAL ± 1/16"	
MAT :	DEC X.X ± 0.1"	
	DEC X.XXX ± 0.06"	
	DEC X.XXX ± 0.031"	
	ANGULAR ± 0.5°	

VIEW REP : HITCH	SHEET 1 OF 1	R#	DATE	DESCRIPTION	DR	CK
TITLE : ADJUSTABLE CAST HITCH (5275)				FILE NO : AAA-054-00248.idw		

004

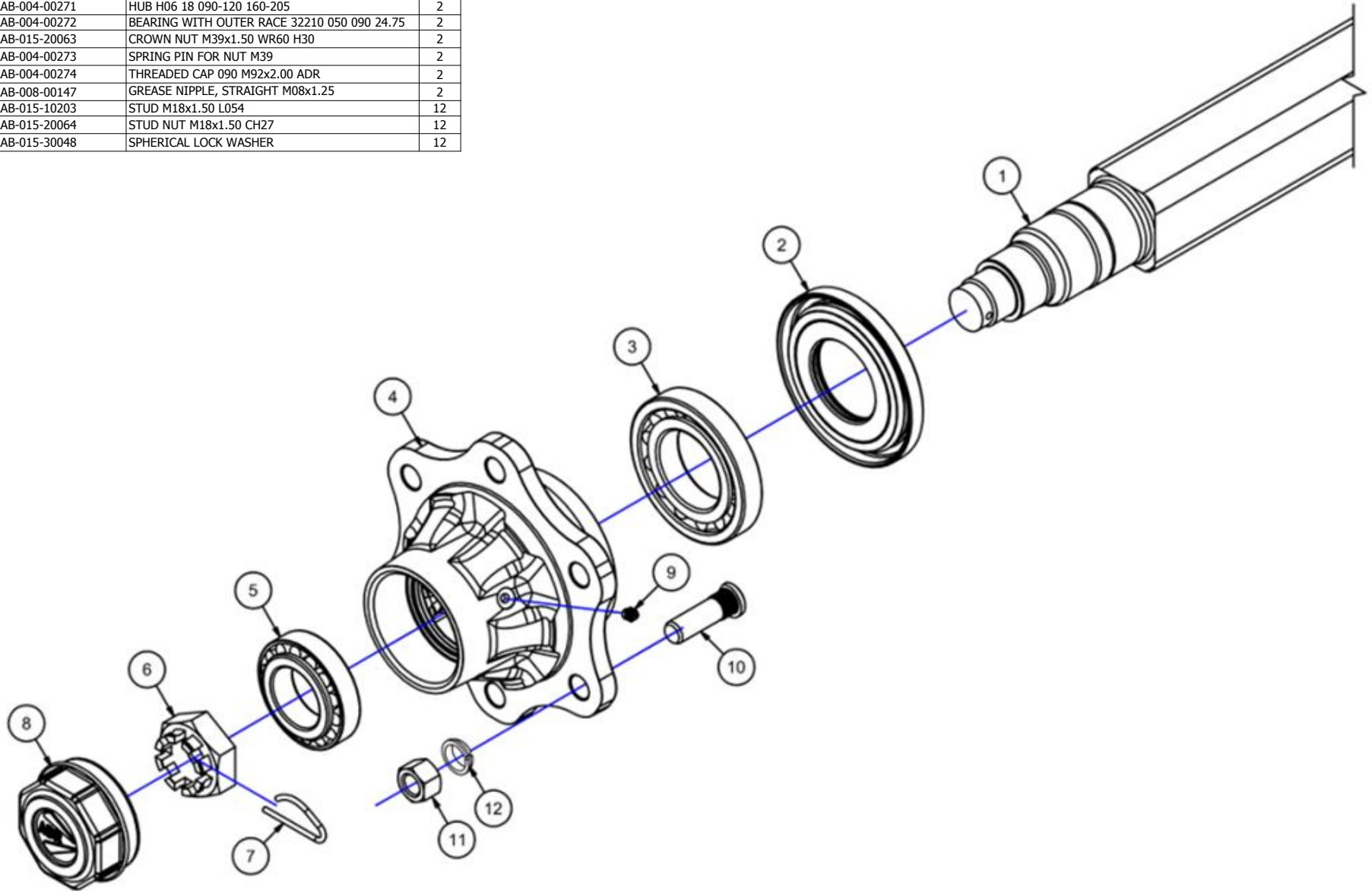
AXLE PARTS

Parts List			
ITEM	PART NUMBER	DESCRIPTION	QTY
1	AAA-002-02045	AXLE WB SUPT WELDMENT 2.5ID X 7.125L (5275)	2
2	AAB-004-00263	AXLE W/ GREASE FIT - 6 BOLT X 203 MM BC X 152 MM PILOT X 1550 MM F-F	1
3	AAB-004-00264	TIRE AND RIM QINGDAO 9 X 15.3 WITH 10.0 / 75 - 15.3 18PLY	2
4	AAB-010-00419	DG WB 2.5 DIA X 16.929 L	2
5	AAB-015-10134	BOLT HEX 3/4 X 2-1/2 UNC GRD 8	8
6	AAB-015-10180	BOLT HEX 3/4 X 4-1/2 UNC GRD 8	4
7	AAB-015-20016	NUT HEX LOCK NYLON 3/4 UNC GRD 8	8
8	AAB-015-20023	NUT HEX 3/4 UNC GRD 5	2



VIEW REP : AXLE & TIRES	SHEET 1 OF 1	R#	DATE	DESCRIPTION	DR	CK	DRWN : CDiRamio	TOLERANCES (UNLESS SPECIFIED OTHERWISE)	
TITLE : UNDERCARRIAGE (5275)							DATE : 11/18/2015	FRACTIONAL ± 1/16"	
FILE NO : AAA-054-00249.idw							MAT :	DEC X.X ± 0.1"	
								DEC X.XXX ± 0.06"	
									DEC X.XXX ± 0.031"
									ANGULAR ± 0.5°
							<small>CONFIDENTIAL: THESE DRAWINGS AND COPIES THEREOF REMAIN THE PROPERTY OF JAY-LOR FABRICATING INC. ANY PERSON FOUND UNLAWFULLY USING, DISTRIBUTING, OR IN POSSESSION OF THE ABOVE WILL BE PROSECUTED</small>		

Parts List			
ITEM	PART NUMBER	DESCRIPTION	QTY
1	AAB-004-00268	SQUARE AXLE (SQ070 TRACK 1550)	1
2	AAB-004-00269	INDUSTRIAL GREASE SEAL 067/120	2
3	AAB-004-00270	BEARING WITH INNER RACE 30213 065 120 24.75	2
4	AAB-004-00271	HUB H06 18 090-120 160-205	2
5	AAB-004-00272	BEARING WITH OUTER RACE 32210 050 090 24.75	2
6	AAB-015-20063	CROWN NUT M39x1.50 WR60 H30	2
7	AAB-004-00273	SPRING PIN FOR NUT M39	2
8	AAB-004-00274	THREADED CAP 090 M92x2.00 ADR	2
9	AAB-008-00147	GREASE NIPPLE, STRAIGHT M08x1.25	2
10	AAB-015-10203	STUD M18x1.50 L054	12
11	AAB-015-20064	STUD NUT M18x1.50 CH27	12
12	AAB-015-30048	SPHERICAL LOCK WASHER	12



VIEW REP : 6-BOLT HUB	SHEET 1 OF 1	R#	DATE	DESCRIPTION	DR	CK
TITLE : SQUARE AXLE & 6-BOLT HUBS (5275)				FILE NO : AAA-054-00250.idw		

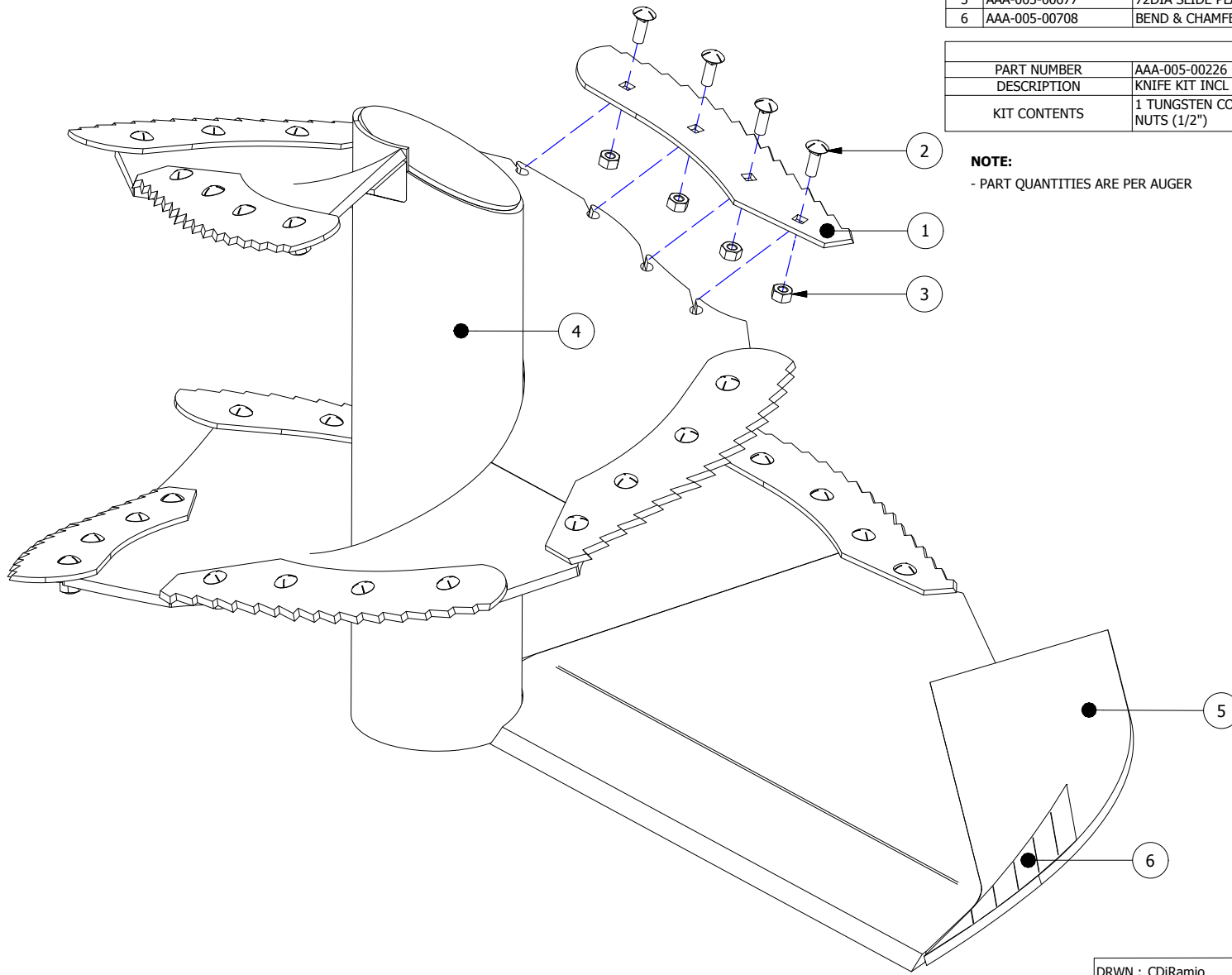
DRWN :	TOLERANCES (UNLESS SPECIFIED OTHERWISE)	JAY•LUK[®] Fabricating Inc
DATE : 11/18/2015	FRACTIONAL ± 1/16"	
MAT :	DEC X.X ± 0.1"	
	DEC X.XX ± 0.06"	
	DEC X.XXX ± 0.031"	
	ANGULAR ± 0.5°	
<small>CONFIDENTIAL: THESE DRAWINGS AND COPIES THEREOF REMAIN THE PROPERTY OF JAY-LOR FABRICATING INC. ANY PERSON FOUND UNLAWFULLY USING, DISTRIBUTING, OR IN POSSESSION OF THE ABOVE WILL BE PROSECUTED</small>		

005

AUGER PARTS

Parts List			
ITEM	PART NUMBER	DESCRIPTION	QTY
1	AAB-005-00030	KNIFE - TUNGSTEN COATED 1/4T (X)	8
2	AAB-015-10066	BOLT CARRIAGE 1/2 X 1-1/2 UNC GRD 5	32
3	AAB-015-20011	NUT HEX 1/2 UNC GRD 5	32
4	AAA-005-00680	5000 SERIES AUGER ASSY 72DIA	1
5	AAA-005-00677	72DIA SLIDE PLATE 1/2T	1
6	AAA-005-00708	BEND & CHAMFERED ANGLING KNIFE 72IN AUGER 410 SS 1/4T	1

Kit List	
PART NUMBER	AAA-005-00226
DESCRIPTION	KNIFE KIT INCL KNIFE AND MTG HW (X)
KIT CONTENTS	1 TUNGSTEN COATED KNIFE, 4 CARRIAGE BOLTS (1/2" X 1-1/2"), 4 NUTS (1/2")



NOTE:
- PART QUANTITIES ARE PER AUGER

DRWN : CDiRamio	TOLERANCES (UNLESS SPECIFIED OTHERWISE)	JAY-LOR <i>Fabricating Inc</i>
DATE : 11/18/2015	FRACTIONAL ± 1/16"	
MAT :	DEC X.X ± 0.1"	
	DEC X.XX ± 0.06"	
	DEC X.XXX ± 0.031"	
	ANGULAR ± 0.5°	

VIEW REP : 72" AUGER	SHEET 1 OF 1	R#	DATE	DESCRIPTION	DR	CK
TITLE : AUGER & KNIVES (5275)				FILE NO : AAA-054-00251.idw		

CONFIDENTIAL: THESE DRAWINGS AND COPIES THEREOF REMAIN THE PROPERTY OF JAY-LOR FABRICATING INC. ANY PERSON FOUND UNLAWFULLY USING, DISTRIBUTING, OR IN POSSESSION OF THE ABOVE WILL BE PROSECUTED

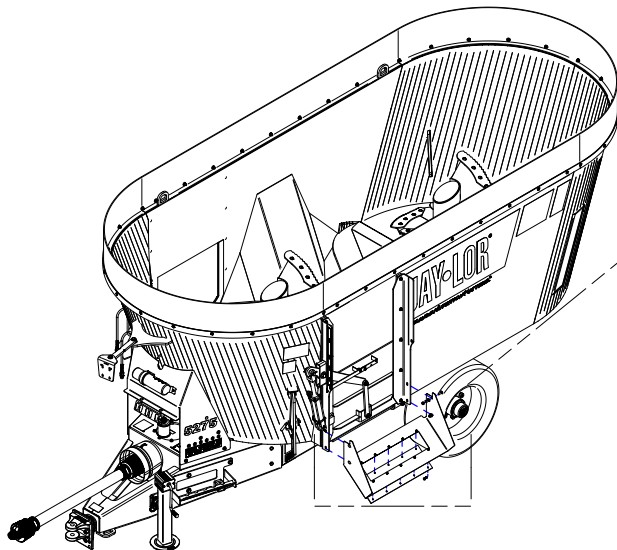
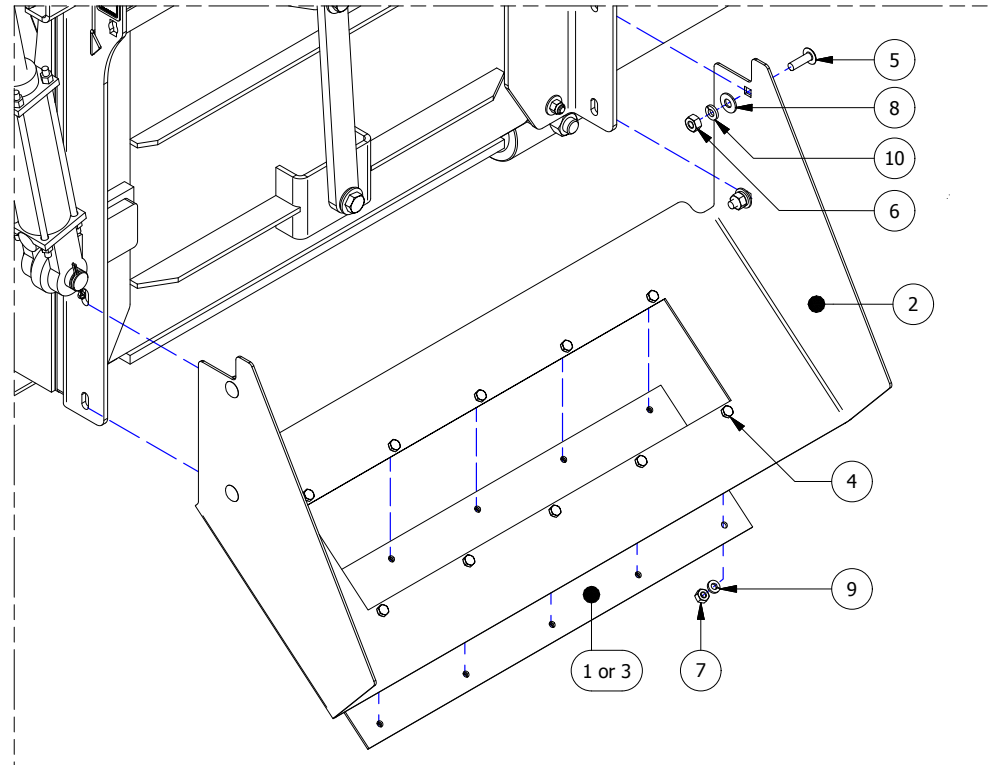
006

CONVEYOR

PARTS

Parts List			
ITEM	PART NUMBER	DESCRIPTION	QTY
1	AAA-006-00321C	MAGNET CHUTE BLANK PLT 1/8T	1
2	AAA-006-01178	C-SIDE CHUTE 1/8T (5150/5275)	1
3	AAB-006-00035	C-SIDE CHUTE MAGNET PLATE (25 X 8 X 1)	1
4	AAB-015-10054	BOLT HEX 5/16 X 3/4 UNC GRD 5	10
5	AAB-015-10060	BOLT CARRIAGE 3/8 X 1-1/4 UNC GRD 2	4
6	AAB-015-20017	NUT HEX 3/8 UNC GRD 2	4
7	AAB-015-20020	NUT HEX 5/16 UNC GRD 2	10
8	AAB-015-30012	WSHR FLAT 3/8 USS	4
9	AAB-015-30016	WSHR LOCK 5/16	10
10	AAB-015-30017	WSHR LOCK 3/8	4

Kit List	
PART NUMBER	AAA-006-01179
DESCRIPTION	C-SIDE CHUTE ASSY KIT (5150/5275)
KIT CONTENTS	1 C-SIDE CHUTE 1 BLANK PLATE 4 CARRIAGE BOLTS (3/8" X 1-1/4") 10 HEX BOLTS (5/16" X 3/4") 14 LOCK WASHERS (4 - 3/8", 10 - 5/16") 4 FLAT WASHERS (3/8") 14 HEX NUTS (4 - 3/8", 10 - 5/16")
PART NUMBER	AAA-006-01180
DESCRIPTION	C-SIDE MAGNET CHUTE ASSY KIT (5150/5275)
KIT CONTENTS	1 C-SIDE CHUTE 1 MAGNET PLATE 4 CARRIAGE BOLTS (3/8" X 1-1/4") 10 HEX BOLTS (5/16" X 3/4") 14 LOCK WASHERS (4 - 3/8", 10 - 5/16") 4 FLAT WASHERS (3/8") 14 HEX NUTS (4 - 3/8", 10 - 5/16")



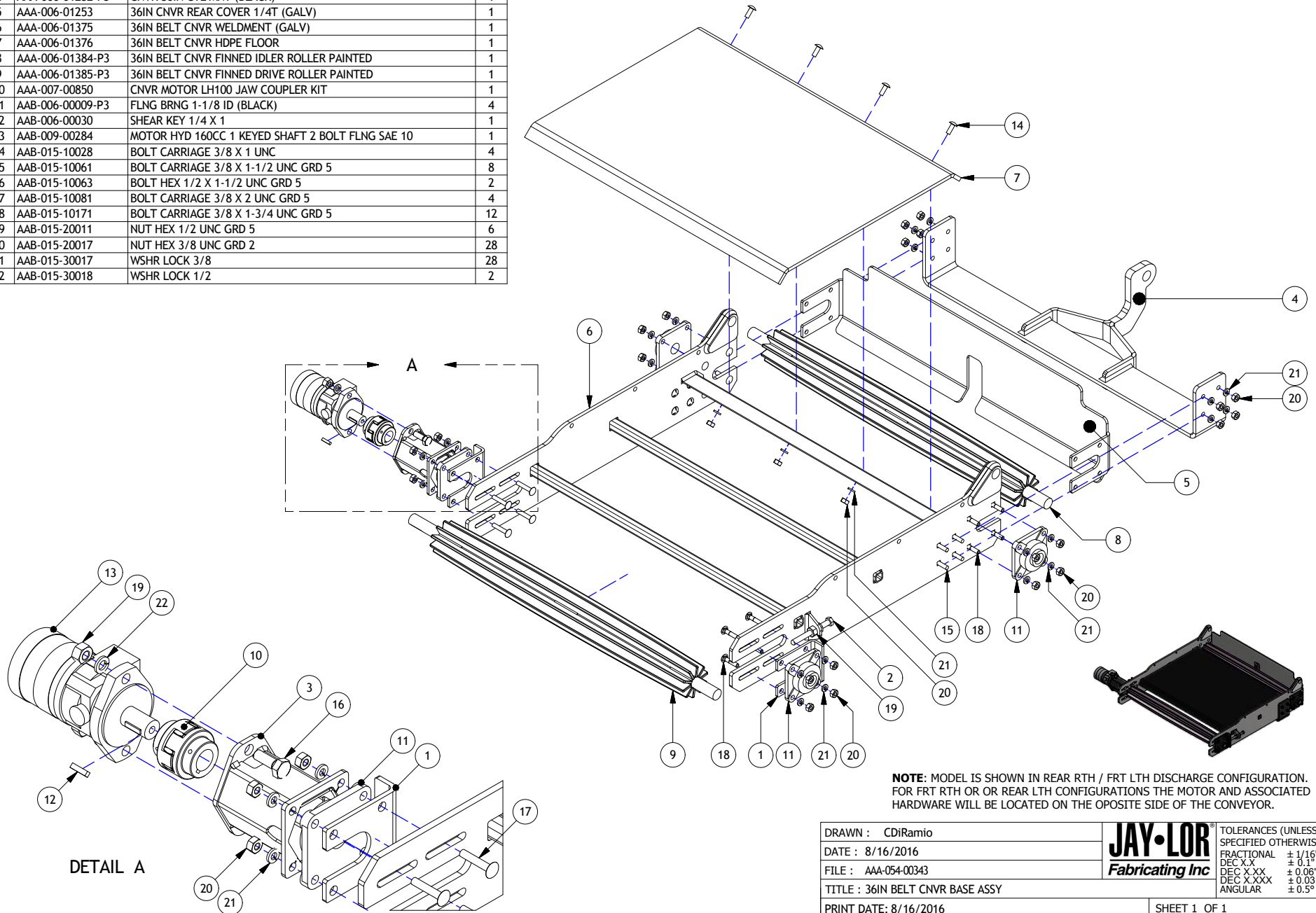
DRWN : CDiRamio	TOLERANCES (UNLESS SPECIFIED OTHERWISE)	JAY-LOR Fabricating Inc
DATE : 8/22/2016	FRACTIONAL ± 1/16"	
MAT :	DEC X.X ± 0.1"	
	DEC X.XXX ± 0.06"	
	DEC X.XXX ± 0.031"	
	ANGULAR ± 0.5°	

VIEW REP : FRONT LTH & RTH	SHEET 1 OF 1	R#	DATE	DESCRIPTION	DR	CK
TITLE : C-SIDE DISCHARGE CHUTE (5275)				FILE NO : AAA-054-00282.idw		

CONFIDENTIAL: THESE DRAWINGS AND COPIES THEREOF REMAIN THE PROPERTY OF JAY-LOR FABRICATING INC. ANY PERSON FOUND UNLAWFULLY USING, DISTRIBUTING, OR IN POSSESSION OF THE ABOVE WILL BE PROSECUTED

Parts List			
ITEM	PART NUMBER	TITLE	QTY
1	AAA-006-00351-P3	CNVR FLNG BRNG HOLDER BLACK 1/4T	2
2	AAA-006-00352	BOLT HEX FULL THREAD MOD 1/2 X 5 X 13	2
3	AAA-006-01233-P3	PAINTED CNVR BED CHAIN DRIVE MOTOR TO FLNG BRNG COUPLER	1
4	AAA-006-01252-P3	CNVR 36IN CYL MNT (BLACK)	1
5	AAA-006-01253	36IN CNVR REAR COVER 1/4T (GALV)	1
6	AAA-006-01375	36IN BELT CNVR WELDMNT (GALV)	1
7	AAA-006-01376	36IN BELT CNVR HDPE FLOOR	1
8	AAA-006-01384-P3	36IN BELT CNVR FINNED IDLER ROLLER PAINTED	1
9	AAA-006-01385-P3	36IN BELT CNVR FINNED DRIVE ROLLER PAINTED	1
10	AAA-007-00850	CNVR MOTOR LH100 JAW COUPLER KIT	1
11	AAB-006-00009-P3	FLNG BRNG 1-1/8 ID (BLACK)	4
12	AAB-006-00030	SHEAR KEY 1/4 X 1	1
13	AAB-009-00284	MOTOR HYD 160CC 1 KEYED SHAFT 2 BOLT FLNG SAE 10	1
14	AAB-015-10028	BOLT CARRIAGE 3/8 X 1 UNC	4
15	AAB-015-10061	BOLT CARRIAGE 3/8 X 1-1/2 UNC GRD 5	8
16	AAB-015-10063	BOLT HEX 1/2 X 1-1/2 UNC GRD 5	2
17	AAB-015-10081	BOLT CARRIAGE 3/8 X 2 UNC GRD 5	4
18	AAB-015-10171	BOLT CARRIAGE 3/8 X 1-3/4 UNC GRD 5	12
19	AAB-015-20011	NUT HEX 1/2 UNC GRD 5	6
20	AAB-015-20017	NUT HEX 3/8 UNC GRD 2	28
21	AAB-015-30017	WSHR LOCK 3/8	28
22	AAB-015-30018	WSHR LOCK 1/2	2

36" BELT CONVEYOR BASE ASSEMBLY

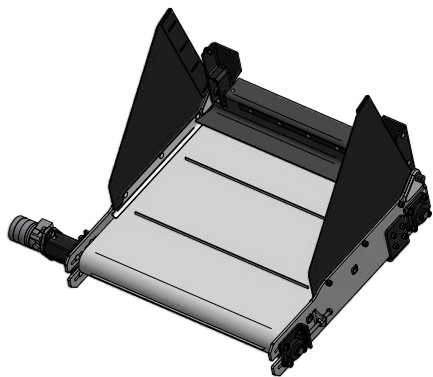
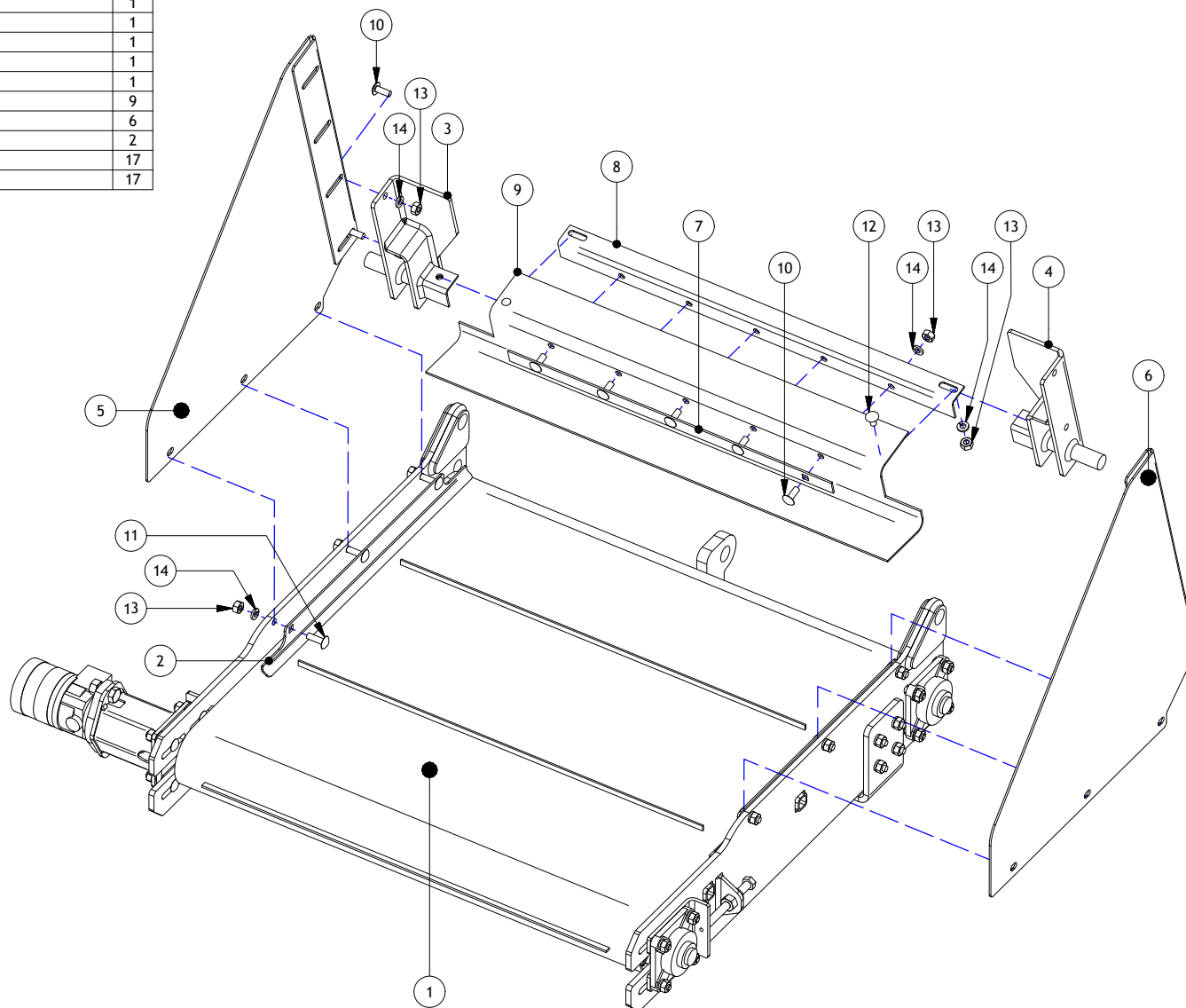


NOTE: MODEL IS SHOWN IN REAR RTH / FRT LTH DISCHARGE CONFIGURATION. FOR FRT RTH OR OR REAR LTH CONFIGURATIONS THE MOTOR AND ASSOCIATED HARDWARE WILL BE LOCATED ON THE OPOSITE SIDE OF THE CONVEYOR.

DRAWN : CDiRamio	JAY-LOR Fabricating Inc	TOLERANCES (UNLESS SPECIFIED OTHERWISE)
DATE : 8/16/2016		FRACTIONAL ± 1/16"
FILE : AAA-054-00343		DEC X.X ± 0.1"
TITLE : 36IN BELT CNVR BASE ASSY		DEC X.XX ± 0.06"
PRINT DATE : 8/16/2016		DEC X.XXX ± 0.031"
		ANGULAR ± 0.5°
SHEET 1 OF 1		
CONFIDENTIAL: THESE DRAWINGS AND COPIES THEREOF REMAIN THE PROPERTY OF JAY-LOR FABRICATING INC. ANY PERSON FOUND UNLAWFULLY USING, DISTRIBUTING, OR IN POSSESSION OF THE ABOVE WILL BE PROSECUTED		

36" CONVEYOR BELT, SHIELDS & MOUNTS

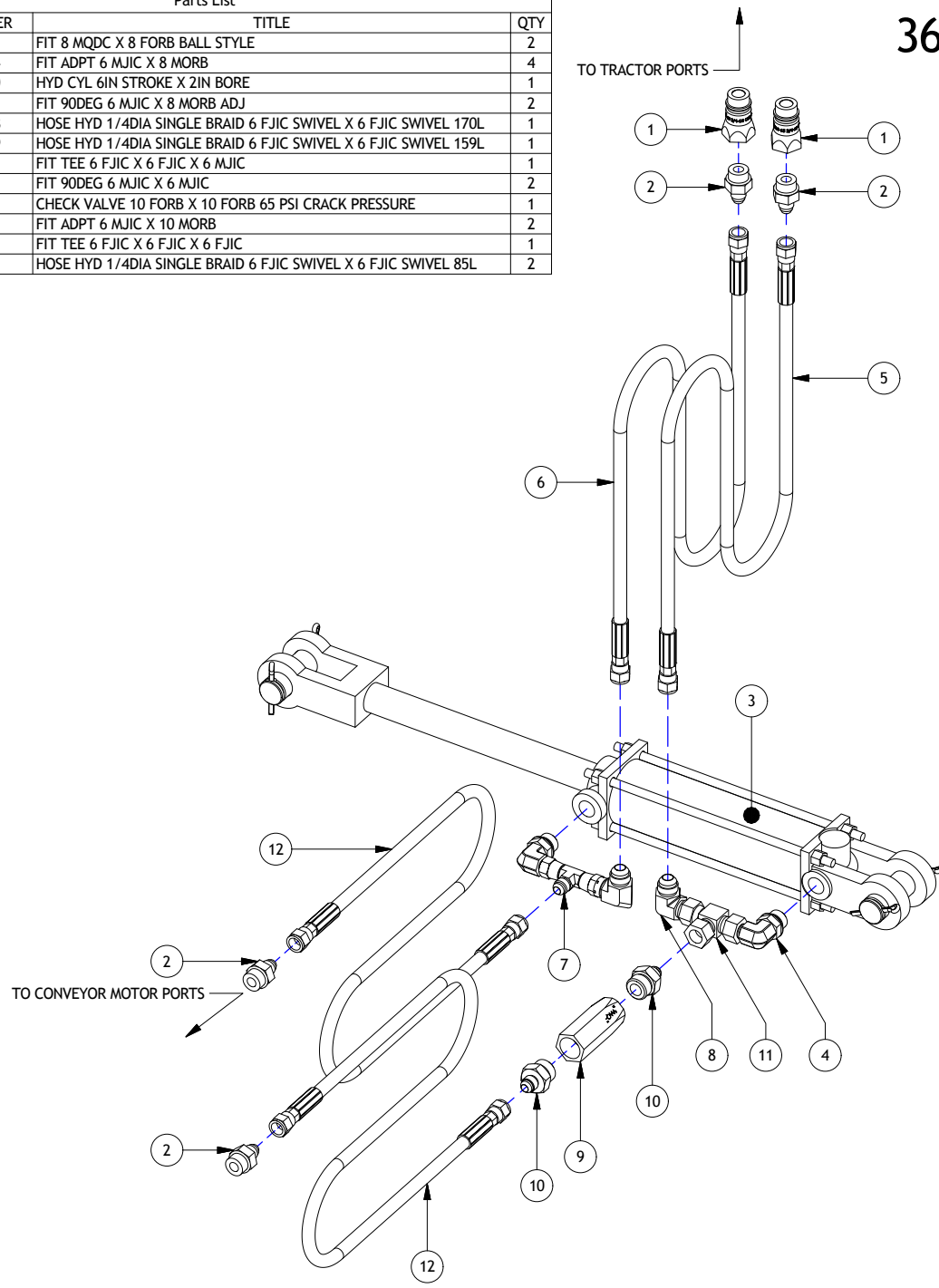
Parts List			
ITEM	PART NUMBER	TITLE	QTY
1	AAB-006-00117	CNVR BELT 0.11811" T X 70.79" EXT. L WHITE POLYESTER	1
2	AAA-006-01258	CNVR BELT SIDE COVER 1/8T (GALV)	2
3	AAA-006-01263-P3	LTH CNVR PIVOT BRKT (BLACK)	1
4	AAA-006-01264-P3	RTH CNVR PIVOT BRKT (BLACK)	1
5	AAA-006-01265A	CNVR DISCHARGE SHIELD RUBR (LTH)	1
6	AAA-006-01265B	CNVR DISCHARGE SHIELD RUBR (RTH)	1
7	AAA-006-01377-P3	36IN BELT CNVR RUBR SUPPORT (BLACK)	1
8	AAA-006-01378	36IN BELT CNVR RUBR MOUNT PLATE	1
9	AAA-006-01379	36IN BELT CNVR RUBR FEED STOP	1
10	AAB-015-10028	BOLT CARRIAGE 3/8 X 1 UNC	9
11	AAB-015-10060	BOLT CARRIAGE 3/8 X 1-1/4 UNC GRD 2	6
12	AAB-015-10147	BOLT CARRIAGE 3/8-16 X 3/4 GRD 5	2
13	AAB-015-20017	NUT HEX 3/8 UNC GRD 2	17
14	AAB-015-30017	WSHR LOCK 3/8	17



DRAWN : CDiRamio	JAY-LOR Fabricating Inc	TOLERANCES (UNLESS SPECIFIED OTHERWISE)
DATE : 8/16/2016		FRACTIONAL ± 1/16"
FILE : AAA-054-00344		DEC X.X ± 0.1"
TITLE : 36IN BELT CNVR **PARTS ORDER**		DEC X.XX ± 0.06"
		DEC X.XXX ± 0.031"
		ANGULAR ± 0.5°
PRINT DATE: 8/16/2016	SHEET 1 OF 1	
CONFIDENTIAL: THESE DRAWINGS AND COPIES THEREOF REMAIN THE PROPERTY OF JAY-LOR FABRICATING INC. ANY PERSON FOUND UNLAWFULLY USING, DISTRIBUTING, OR IN POSSESSION OF THE ABOVE WILL BE PROSECUTED		

Parts List			
ITEM	PART NUMBER	TITLE	QTY
1	AAB-009-00322	FIT 8 MQDC X 8 FORB BALL STYLE	2
2	AAB-009-00074	FIT ADPT 6 MJIC X 8 MORB	4
3	AAB-009-00230	HYD CYL 6IN STROKE X 2IN BORE	1
4	AAB-009-00352	FIT 90DEG 6 MJIC X 8 MORB ADJ	2
5	AAA-009-00948	HOSE HYD 1/4DIA SINGLE BRAID 6 FJIC SWIVEL X 6 FJIC SWIVEL 170L	1
6	AAA-009-00949	HOSE HYD 1/4DIA SINGLE BRAID 6 FJIC SWIVEL X 6 FJIC SWIVEL 159L	1
7	AAB-009-00432	FIT TEE 6 FJIC X 6 FJIC X 6 MJIC	1
8	AAB-009-00086	FIT 90DEG 6 MJIC X 6 MJIC	2
9	AAB-009-00511	CHECK VALVE 10 FORB X 10 FORB 65 PSI CRACK PRESSURE	1
10	AAB-009-00253	FIT ADPT 6 MJIC X 10 MORB	2
11	AAB-009-00072	FIT TEE 6 FJIC X 6 FJIC X 6 FJIC	1
12	AAA-009-00971	HOSE HYD 1/4DIA SINGLE BRAID 6 FJIC SWIVEL X 6 FJIC SWIVEL 85L	2

36" BELT CONVEYOR HYDRAULICS

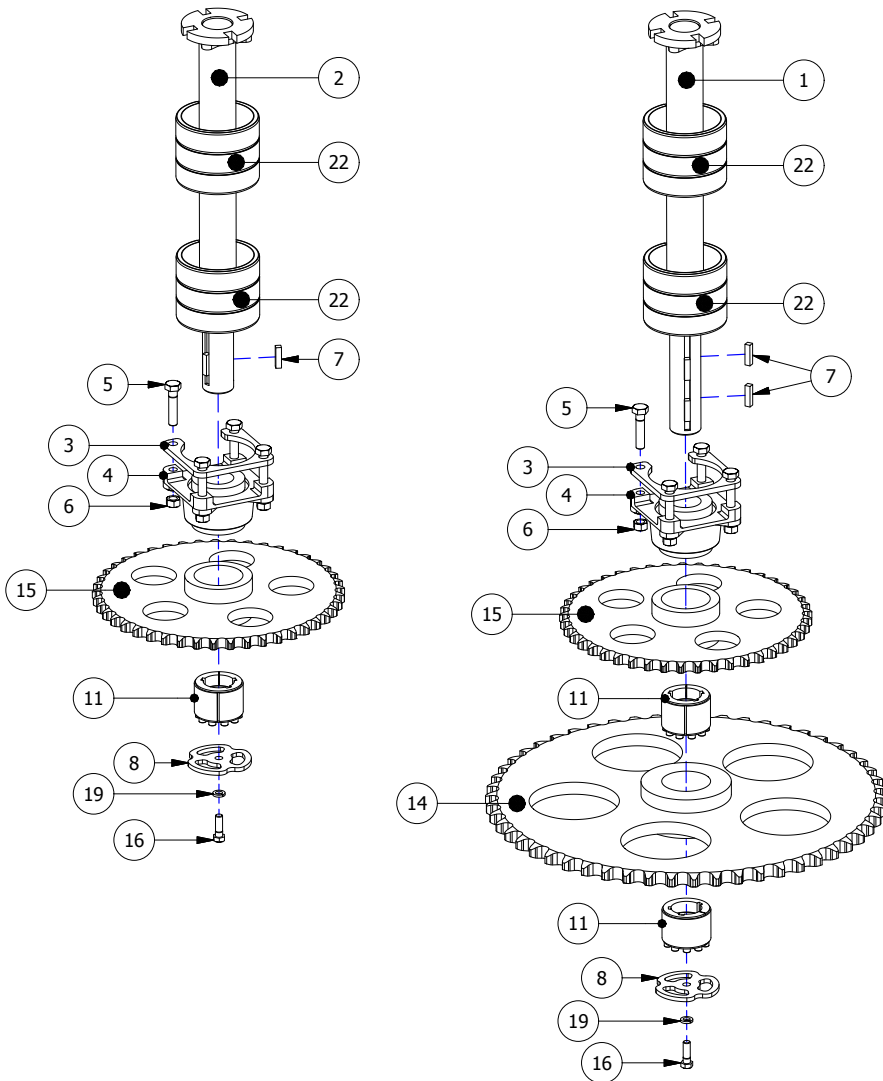


DRAWN : CDiRamio	JAY•LOR Fabricating Inc	TOLERANCES (UNLESS SPECIFIED OTHERWISE)
DATE : 8/16/2016		FRACTIONAL ± 1/16"
FILE : AAA-054-00345		DEC X.X ± 0.1"
TITLE : 36IN BELT CNVR **PARTS ORDER**		DEC X.XX ± 0.06"
		DEC X.XXX ± 0.031"
		ANGULAR ± 0.5°
PRINT DATE: 8/16/2016	SHEET 1 OF 1	
CONFIDENTIAL: THESE DRAWINGS AND COPIES THEREOF REMAIN THE PROPERTY OF JAY-LOR FABRICATING INC. ANY PERSON FOUND UNLAWFULLY USING, DISTRIBUTING, OR IN POSSESSION OF THE ABOVE WILL BE PROSECUTED		

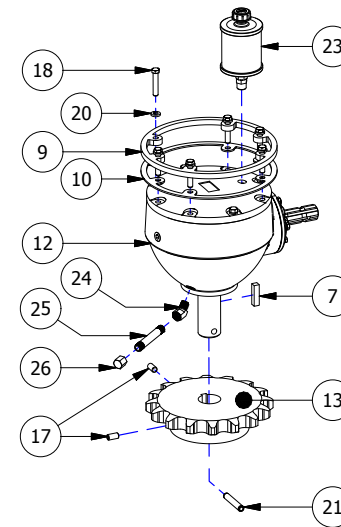
007

DRIVELINE

PARTS

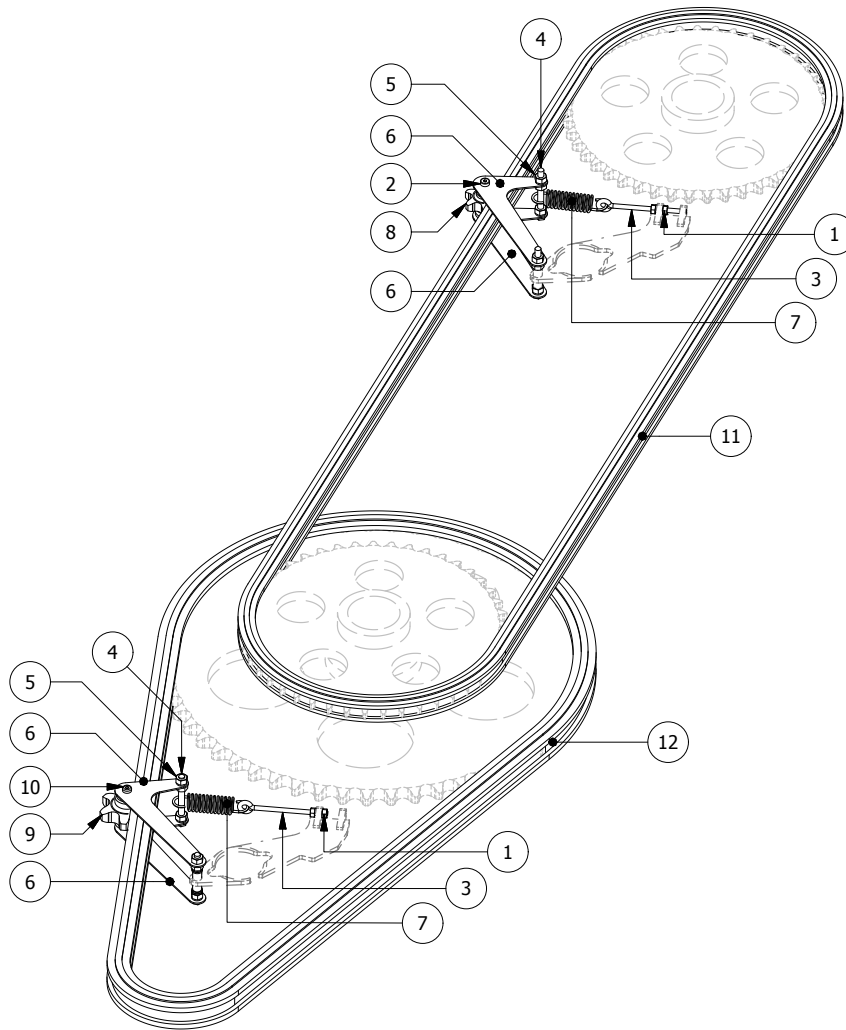


Parts List			
ITEM	PART NUMBER	TITLE	QTY
1	AAA-005-00404	AUGER DRIVESHAFT WELDMENT FRT (5275)	1
2	AAA-005-00405	AUGER DRIVESHAFT WELDMENT REAR (5275)	1
3	AAA-007-00872	BEARING SPCR PLT 1/2T	2
4	AAB-007-00874	TAPERED ROLLER FLNG BEARING 2-3/4ID	2
5	AAB-015-10145	BOLT HEX 3/4 X 3-1/2 UNC GRD 8	8
6	AAB-015-20023	NUT HEX 3/4 UNC GRD 5	8
7	AAA-005-00669	KEY STOCK 1/2 X 1/2 X 2L	10
8	AAA-005-00406	AUGER SPROCKET SAFETY PLT 3/8T	2
9	AAA-007-00895	SPACER PLATE FOR PHD-75 BEVEL GRBX (5275)	1
10	AAA-007-00896	SPACER PLATE FOR PHD-75 BEVEL GRBX (5275) (1/8"THK)	1
11	AAA-007-00920	LCK BUSHING KEYLESS HD 2-3/4" ID (B122212)	3
12	AAB-007-00870	PHD-75 BEVEL GRBX (4:1 RATIO) (540 INPUT) (88 HP RATING)	1
13	AAB-007-00871	SPROCKET #160 X 16T 2" ID / 1/2" KEY	1
14	AAB-007-00872	SPROCKET #160 X 54T 4.331" ID (125 MICRO-INCH SURFACE FINISH - ID)	1
15	AAB-007-00873	SPROCKET #120 X 45T 4.331" ID (125 MICRO-INCH SURFACE FINISH - ID)	2
16	AAB-015-10068	BOLT HEX 5/8 X 2 UNC GRD 5	2
17	AAB-015-10187	SET SCREW 1/2-13 X 1L	2
18	AAB-015-10200	BOLT HEX 7/16-14 UNC X 2-1/4L GRD 5	6
19	AAB-015-30019	WSHR LOCK 5/8	2
20	AAB-015-30029	WSHR LOCK 7/16	6
21	AAB-015-40044	SPRING PIN 13MM DIA X 80MM	1
22	AAB-005-00043	NYLATRON BUSHING 6.375ID X 7.300OD X 6L	4
23	AAA-008-00118	OIL RESERVOIR WITH BREATHER INSTALLED.	1
24	AAB-009-00746	FIT 45 DEG 6 MNPT X 6 FNPT	1
25	AAB-009-00747	PIPE NIPPLE 6 MNPT X 4 L	1
26	AAB-009-00748	FIT CAP 6 FNPT	1



DRWN : CDiRamio	TOLERANCES (UNLESS SPECIFIED OTHERWISE)	
DATE : 8/16/2016	FRACTIONAL ± 1/16"	
MAT :	DEC X.X ± 0.1"	
	DEC X.XXX ± 0.031"	
	ANGULAR ± 0.5°	
<small>CONFIDENTIAL: THESE DRAWINGS AND COPIES THEREOF REMAIN THE PROPERTY OF JAY-LOR FABRICATING INC. ANY PERSON FOUND UNLAWFULLY USING, DISTRIBUTING, OR IN POSSESSION OF THE ABOVE WILL BE PROSECUTED</small>		

VIEW REP : DRIVELINE	SHEET 1 OF 1	R#	DATE	DESCRIPTION	DR	CK
TITLE : SPROCKETS & GEARBOX (5275)				FILE NO : AAA-054-00292.idw		



Parts List			
ITEM	PART NUMBER	TITLE	QTY
1	AAB-015-20017	NUT HEX 3/8 UNC GRD 2	4
2	AAB-015-10183	SHLDR BOLT 1/2 X 3-1/2 X 3/8-16	1
3	AAB-007-00888	EYE BOLT 3/8 X 6	2
4	AAB-015-10065	BOLT HEX FULL THREAD MOD 1/2 X 5 X 13	4
5	AAB-015-20011	NUT HEX 1/2 UNC GRD 5	12
6	AAA-007-00212-P3	BTTM BRKT RC IDLER 1/8T (PAINTED)	4
7	AAB-007-00887	EXT SPRING 122 LBS MAX WORK LOAD	2
8	AAB-007-00890	UMHW #120 IDLER	1
9	AAB-007-00889	UHMW #160 IDLER	1
10	AAB-015-10198	SHLDR BOLT 1/2 X 4 X 3/8-16	1
11	AAB-007-00879	#120 ROLLER CHAIN - 210 IN	1
12	AAB-007-00880	#160 ROLLER CHAIN - 160 IN	1

Kit List	
PART NUMBER	AAA-007-00210
DESCRIPTION	#160 ROLLER CHAIN TENSIONER ASSEMBLY
KIT CONTENTS	PRE-ASSEMBLED: 1 SPROCKET (#160), 2 BRACKETS, 1 SPRING, 1 EYE BOLT, VARIOUS HARDWARE
PART NUMBER	AAA-007-00220
DESCRIPTION	#120 ROLLER CHAIN TENSIONER ASSEMBLY
KIT CONTENTS	PRE-ASSEMBLED: 1 SPROCKET (#120), 2 BRACKETS, 1 SPRING, 1 EYE BOLT, VARIOUS HARDWARE
PART NUMBER	AAB-007-00881
DESCRIPTION	#120 ROLLER CHAIN LINK KIT
KIT CONTENTS	1 CONNECTING LINK (#120), 2 COTTER PINS
PART NUMBER	AAA-007-00882
DESCRIPTION	#160 ROLLER CHAIN LINK KIT
KIT CONTENTS	1 CONNECTING LINK (#160), 2 COTTER PINS

DRWN : CDIRamio
 DATE : 3/21/2017
 MAT :

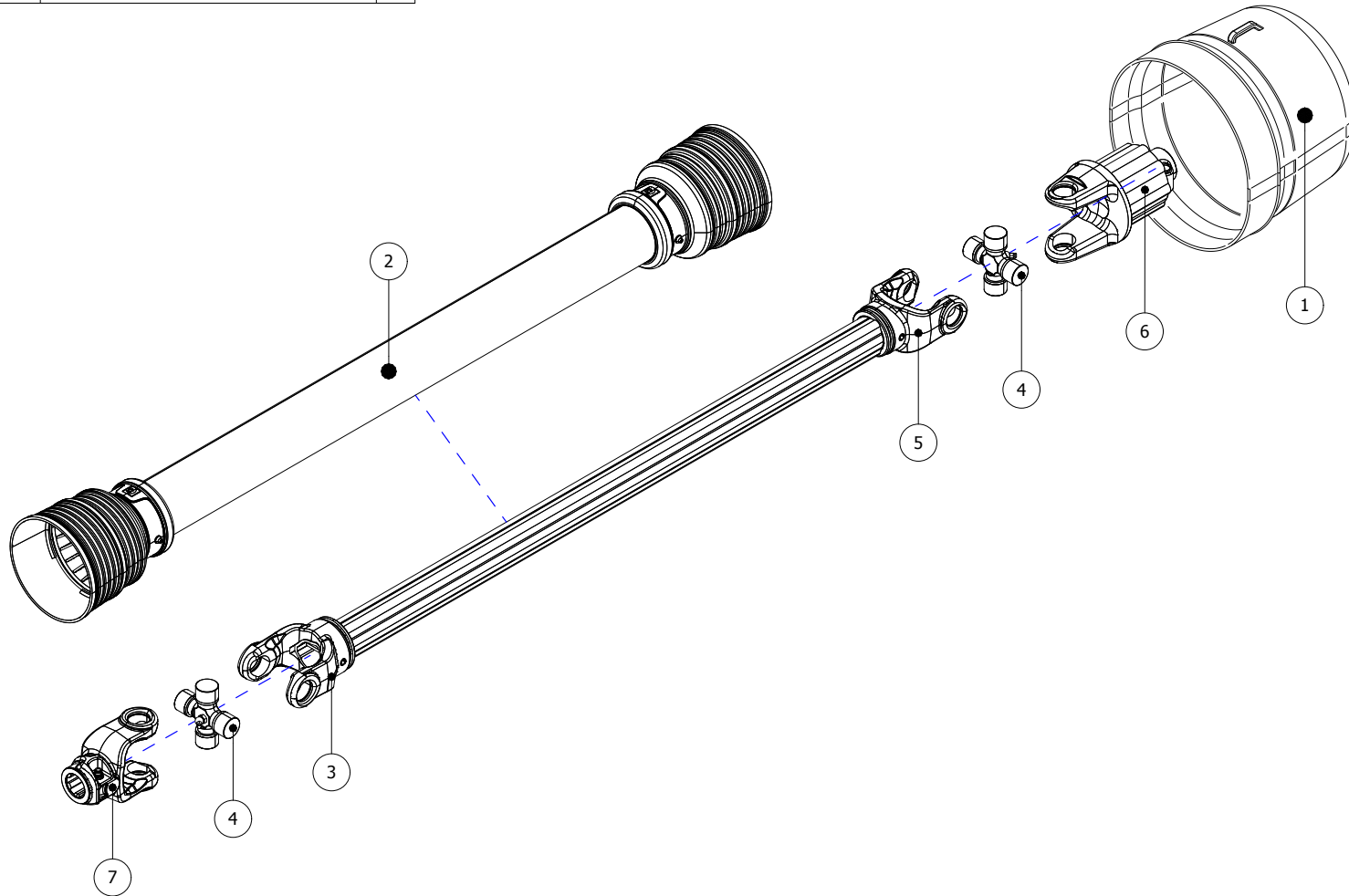
TOLERANCES (UNLESS SPECIFIED OTHERWISE)
 FRACTIONAL ± 1/16"
 DEC X.X ± 0.1"
 DEC X.XXX ± 0.06"
 DEC X.XXX ± 0.031"
 ANGULAR ± 0.5°



VIEW REP : CHAINS & TENSIONERS	SHEET 1 OF 1	R#	DATE	DESCRIPTION	DR	CK
TITLE : CHAINS & TENSIONERS (5275)				FILE NO : AAA-054-00293.idw		

CONFIDENTIAL: THESE DRAWINGS AND COPIES THEREOF REMAIN THE PROPERTY OF JAY-LOR FABRICATING INC. ANY PERSON FOUND UNLAWFULLY USING, DISTRIBUTING, OR IN POSSESSION OF THE ABOVE WILL BE PROSECUTED

Parts List			
ITEM	PART NUMBER	DESCRIPTION	QTY
0	AAB-007-00883	PTO NUM 6 1-3/8F 6SP X 1-3/8F 6SP (PARTS 2 - 7)	1
1	AAB-007-00817	IICS/CONE BLACK WITH RUBR EXT (517000E03)	1
2	AAB-007-00963	SHIELDING (PTO NUM 6)	1
3	AAB-007-00964	OUTER SHAFT WITH YOKE (PTO NUM 6)	1
4	AAB-007-00965	CROSS (PTO NUM 6)	2
5	AAB-007-00966	INNER SHAFT WITH YOKE (PTO NUM 6)	1
6	AAB-007-00967	TORQUE LIMITING CLUTCH (PTO NUM 6)	1
7	AAB-007-00968	PTO YOKE NUM 6 X 6SP	1



DRWN : CDIRamio	TOLERANCES (UNLESS SPECIFIED OTHERWISE)	JAY-LOR Fabricating Inc
DATE : 11/13/2017	FRACTIONAL ± 1/16"	
MAT :	DEC X.X ± 0.1"	
	DEC X.XXX ± 0.06"	
	DEC X.XXXX ± 0.031"	
	ANGULAR ± 0.5°	

VIEW REP : PTO	SHEET 1 OF 1	R#	DATE	DESCRIPTION	DR	CK
TITLE : POWER TAKE-OFF (PTO) (5275)				FILE NO : AAA-054-00295.idw		

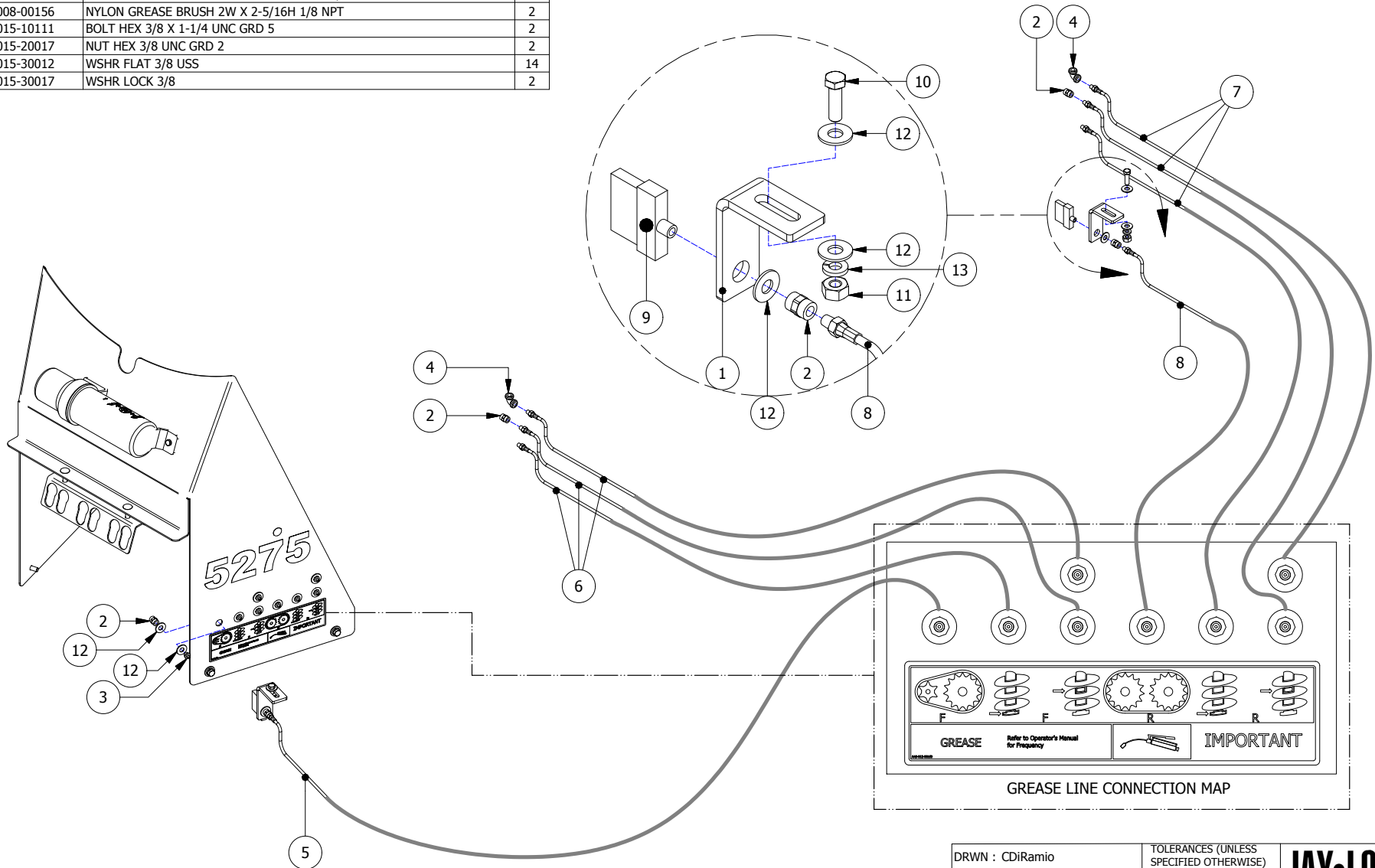
CONFIDENTIAL: THESE DRAWINGS AND COPIES THEREOF REMAIN THE PROPERTY OF JAY-LOR FABRICATING INC. ANY PERSON FOUND UNLAWFULLY USING, DISTRIBUTING, OR IN POSSESSION OF THE ABOVE WILL BE PROSECUTED

L. 008 – LUBE SYSTEM PARTS

008

LUBE PARTS

Parts List			
ITEM	PART NUMBER	DESCRIPTION	QTY
1	AAA-008-00107-P3	GREASE BRUSH MNT BRKT 1/4T (BLACK)	2
2	AAB-008-00030	FIT ADPT 2 FNPT X 2 FNPT	12
3	AAB-008-00031	FIT GREASE NIPPLE X 2 MNPT	8
4	AAB-008-00109	FIT 90DEG 1/8 FNPT X 1/8 FNPT	2
5	AAB-008-00152	CTRL GREASE LINE 2 MNPT X 2MNPT X 30L / SAE100R7 THERMAL PLASTIC	1
6	AAB-008-00153	CTRL GREASE LINE 2 MNPT X 2MNPT X 65L / SAE100R7 THERMAL PLASTIC	3
7	AAB-008-00154	CTRL GREASE LINE 2 MNPT X 2MNPT X 130L / SAE100R7 THERMAL PLASTIC	3
8	AAB-008-00155	CTRL GREASE LINE 2 MNPT X 2MNPT X 120L / SAE100R7 THERMAL PLASTIC	1
9	AAB-008-00156	NYLON GREASE BRUSH 2W X 2-5/16H 1/8 NPT	2
10	AAB-015-10111	BOLT HEX 3/8 X 1-1/4 UNC GRD 5	2
11	AAB-015-20017	NUT HEX 3/8 UNC GRD 2	2
12	AAB-015-30012	WSHR FLAT 3/8 USS	14
13	AAB-015-30017	WSHR LOCK 3/8	2



VIEW REP : GREASE LINES	SHEET 1 OF 1	R#	DATE	DESCRIPTION	DR	CK
TITLE : GREASE LINES (5275)				FILE NO : AAA-054-00298.idw		

DRWN : CDiRamio	TOLERANCES (UNLESS SPECIFIED OTHERWISE)	JAY•LOR[®] Fabricating Inc
DATE : 11/19/2015	FRACTIONAL ± 1/16"	
	DEC X.X ± 0.1"	
	DEC X.XX ± 0.06"	
	DEC X.XXX ± 0.031"	
MAT :	ANGULAR ± 0.5°	

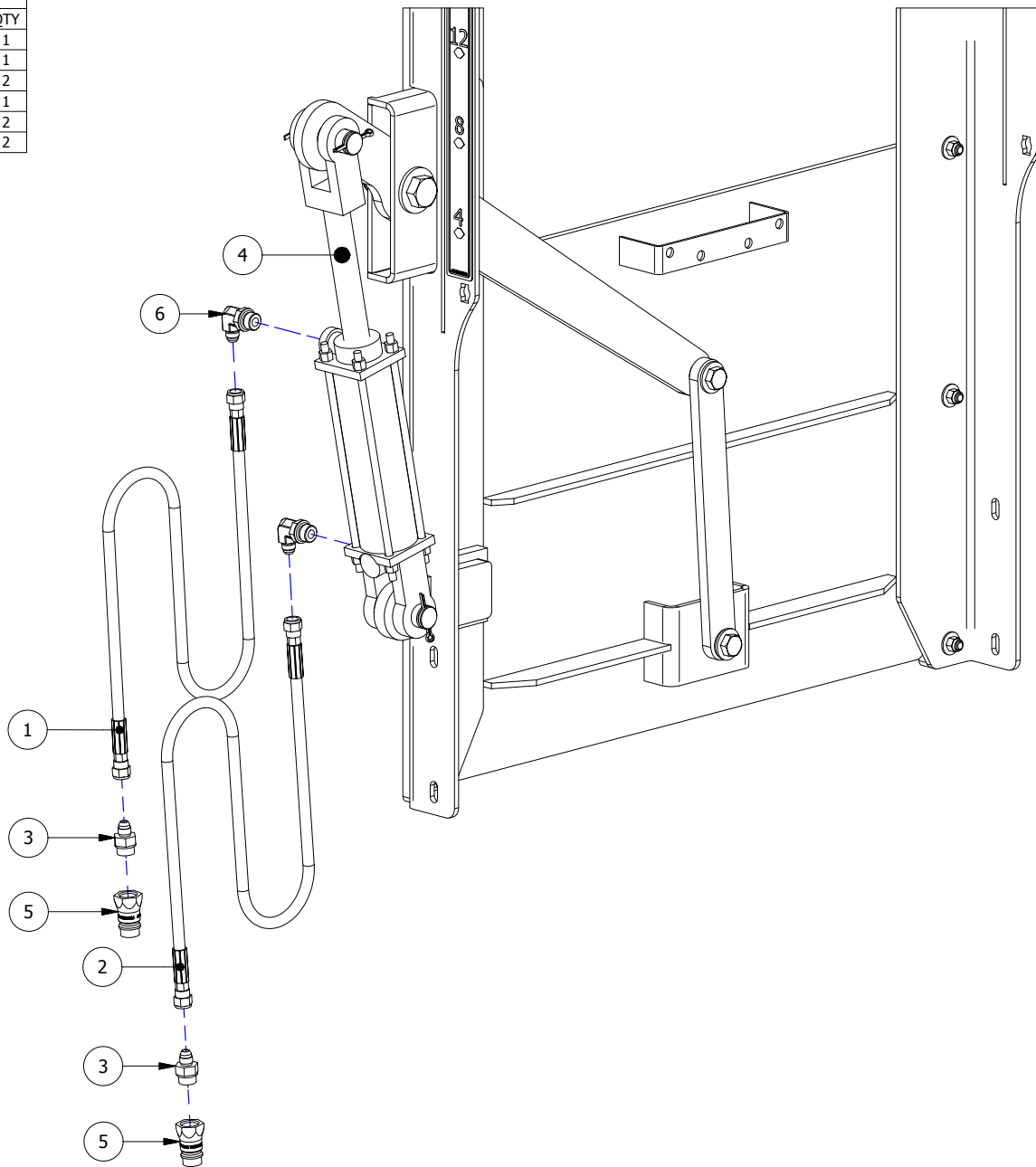
CONFIDENTIAL: THESE DRAWINGS AND COPIES THEREOF REMAIN THE PROPERTY OF JAY-LOR FABRICATING INC. ANY PERSON FOUND UNLAWFULLY USING, DISTRIBUTING, OR IN POSSESSION OF THE ABOVE WILL BE PROSECUTED

009

HYDRAULIC

PARTS

Parts List			
ITEM	PART NUMBER	DESCRIPTION	QTY
1	AAA-009-00948	HOSE HYD 1/4DIA SINGLE BRAID 6 FJIC SWIVEL X 6 FJIC SWIVEL 170L	1
2	AAA-009-00949	HOSE HYD 1/4DIA SINGLE BRAID 6 FJIC SWIVEL X 6 FJIC SWIVEL 159L	1
3	AAB-009-00074	FIT ADPT 6 MJIC X 8 MORB	2
4	AAB-009-00230	HYD CYDR 6IN STROKE X 2IN BORE	1
5	AAB-009-00322	FIT 8 MQDC X 8 FORB BALL STYLE	2
6	AAB-009-00352	FIT 90DEG 6 MJIC X 8 MORB ADJ	2



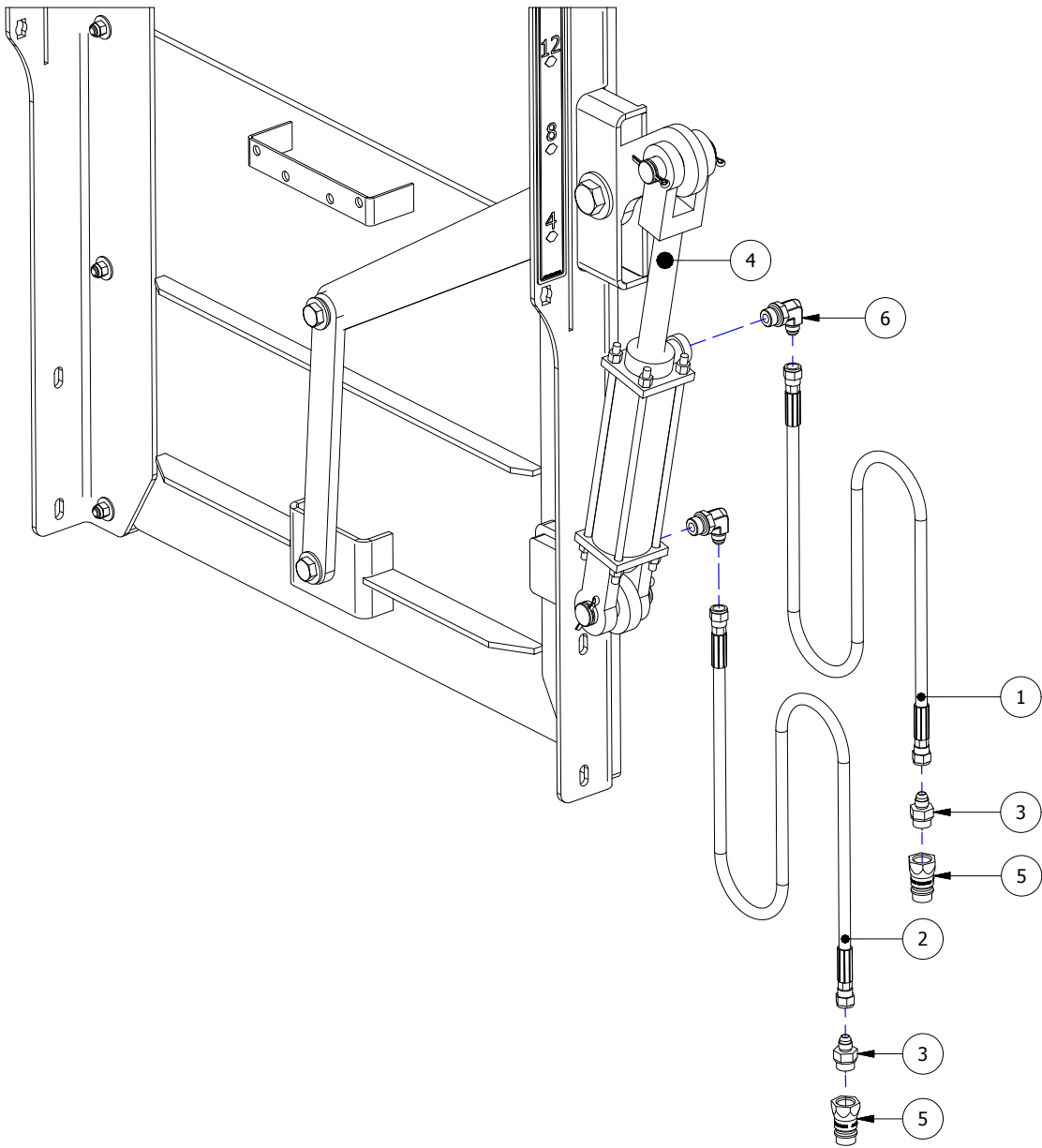
NOTE:

- PART QUANTITIES ARE PER DOOR
- FRONT LEFT C-SIDE DOOR ILLUSTRATED
- FRONT LEFT C-SIDE AND FRONT RIGHT C-SIDE DOORS USE THE SAME HYDRAULICS

VIEW REP : FRONT LEFT C-SIDE DOOR	SHEET 1 OF 1	R#	DATE	DESCRIPTION	DR	CK
TITLE : DOOR HYDRAULICS (C-SIDE FRONT LEFT OR FRONT RIGHT DOOR) (5275)				FILE NO : AAA-054-00299.idw		

DRWN : CDiRamio	TOLERANCES (UNLESS SPECIFIED OTHERWISE)	JAY-LOR[®] <i>Fabricating Inc</i>
DATE : 11/19/2015	FRACTIONAL ± 1/16"	
	DEC X.X ± 0.1"	
	DEC X.XX ± 0.06"	
MAT :	DEC X.XXX ± 0.031"	
	ANGULAR ± 0.5°	
CONFIDENTIAL: THESE DRAWINGS AND COPIES THEREOF REMAIN THE PROPERTY OF JAY-LOR FABRICATING INC. ANY PERSON FOUND UNLAWFULLY USING, DISTRIBUTING, OR IN POSSESSION OF THE ABOVE WILL BE PROSECUTED		

Parts List			
ITEM	PART NUMBER	DESCRIPTION	QTY
1	AAA-009-00950	HOSE HYD 1/4DIA SINGLE BRAID 6 FJIC SWIVEL X 6 FJIC SWIVEL 270L	1
2	AAA-009-00951	HOSE HYD 1/4DIA SINGLE BRAID 6 FJIC SWIVEL X 6 FJIC SWIVEL 259L	1
3	AAB-009-00074	FIT ADPT 6 MJIC X 8 MORB	2
4	AAB-009-00230	HYD CYDR 6IN STROKE X 2IN BORE	1
5	AAB-009-00322	FIT 8 MQDC X 8 FORB BALL STYLE	2
6	AAB-009-00352	FIT 90DEG 6 MJIC X 8 MORB ADJ	2



NOTE:

- PART QUANTITIES ARE PER DOOR
- REAR LEFT C-SIDE DOOR ILLUSTRATED
- REAR LEFT C-SIDE AND REAR RIGHT C-SIDE DOORS USE THE SAME HYDRAULICS

DRWN : CDiRamio	TOLERANCES (UNLESS SPECIFIED OTHERWISE)	JAY•LOR[®] <i>Fabricating Inc</i>
DATE : 11/19/2015	FRACTIONAL ± 1/16"	
MAT :	DEC X.X ± 0.1"	
	DEC X.XXX ± 0.06" DEC X.XXX ± 0.031" ANGULAR ± 0.5°	

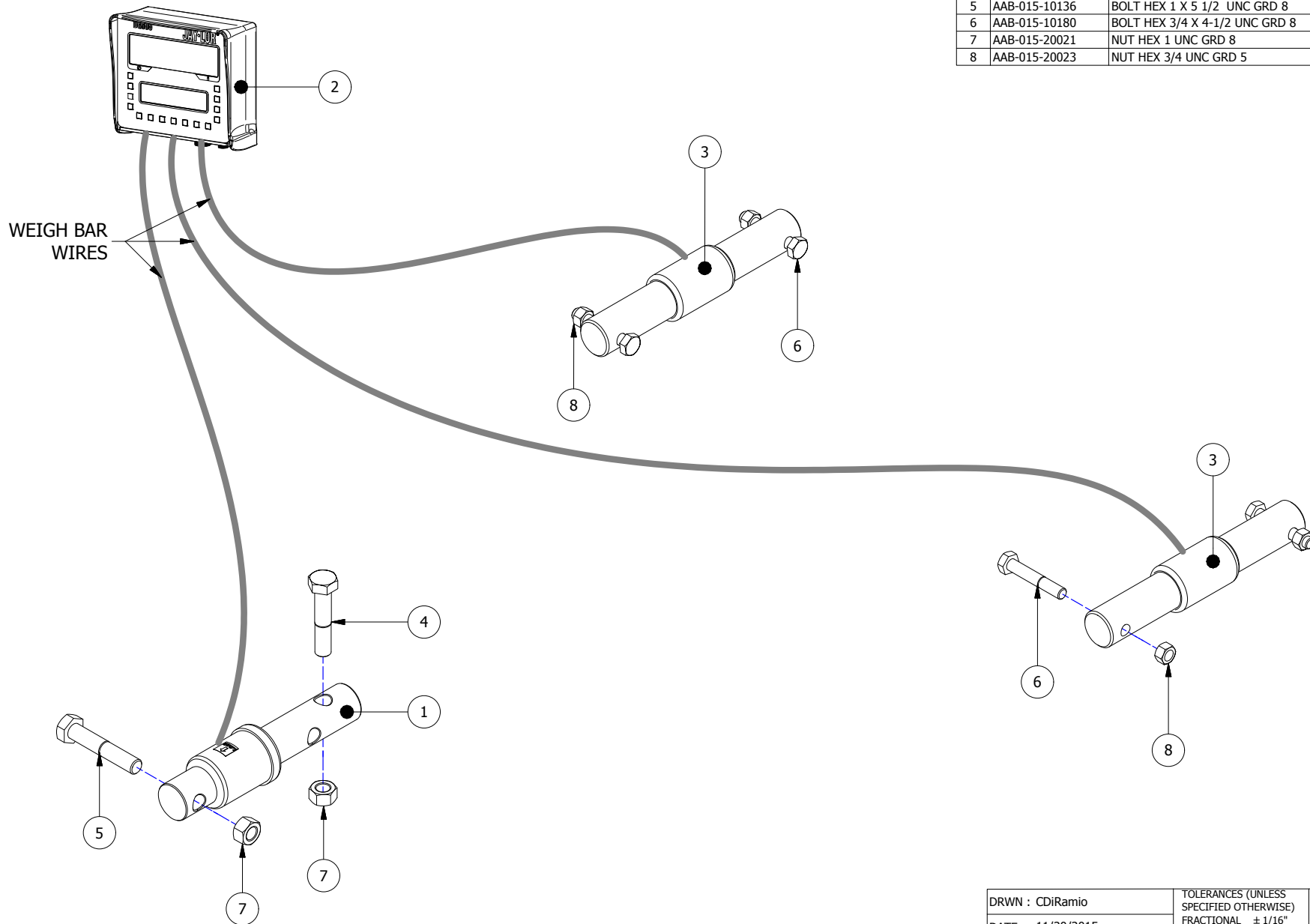
VIEW REP : FRONT LEFT C-SIDE DOOR	SHEET 1 OF 1	R#	DATE	DESCRIPTION	DR	CK
TITLE : DOOR HYDRAULICS (C-SIDE REAR LEFT OR REAR RIGHT DOOR) (5275)				FILE NO : AAA-054-00324.idw		

CONFIDENTIAL- THESE DRAWINGS AND COPIES THEREOF REMAIN THE PROPERTY OF JAY-LOR FABRICATING INC. ANY PERSON FOUND UNLAWFULLY USING, DISTRIBUTING, OR IN POSSESSION OF THE ABOVE WILL BE PROSECUTED

010

SCALE PARTS

Parts List			
ITEM	PART NUMBER	DESCRIPTION	QTY
1	AAB-010-00194	DG WB 2-1/2DIA X 15-1/4L	1
2	AAB-010-00413	DG INDICATOR - DG500-4CSPM-CG-B-ESA_JL	1
3	AAB-010-00419	DG WB 2.5 DIA X 16.929 L	2
4	AAB-015-10091	BOLT HEX 1 X 5 UNC GRD 8	1
5	AAB-015-10136	BOLT HEX 1 X 5 1/2 UNC GRD 8	1
6	AAB-015-10180	BOLT HEX 3/4 X 4-1/2 UNC GRD 8	4
7	AAB-015-20021	NUT HEX 1 UNC GRD 8	2
8	AAB-015-20023	NUT HEX 3/4 UNC GRD 5	4



VIEW REP : INDICATOR & WEIGH BARS	SHEET 1 OF 1	R#	DATE	DESCRIPTION	DR	CK
TITLE : SCALE SYSTEM (5275)				FILE NO : AAA-054-00326.idw		

DRWN : CDiRamio	TOLERANCES (UNLESS SPECIFIED OTHERWISE)	JAY-LOR[®] Fabricating Inc
DATE : 11/20/2015	FRACTIONAL ± 1/16"	
MAT :	DEC X.X ± 0.1"	
	DEC X.XX ± 0.06"	
	DEC X.XXX ± 0.031"	
	ANGULAR ± 0.5°	

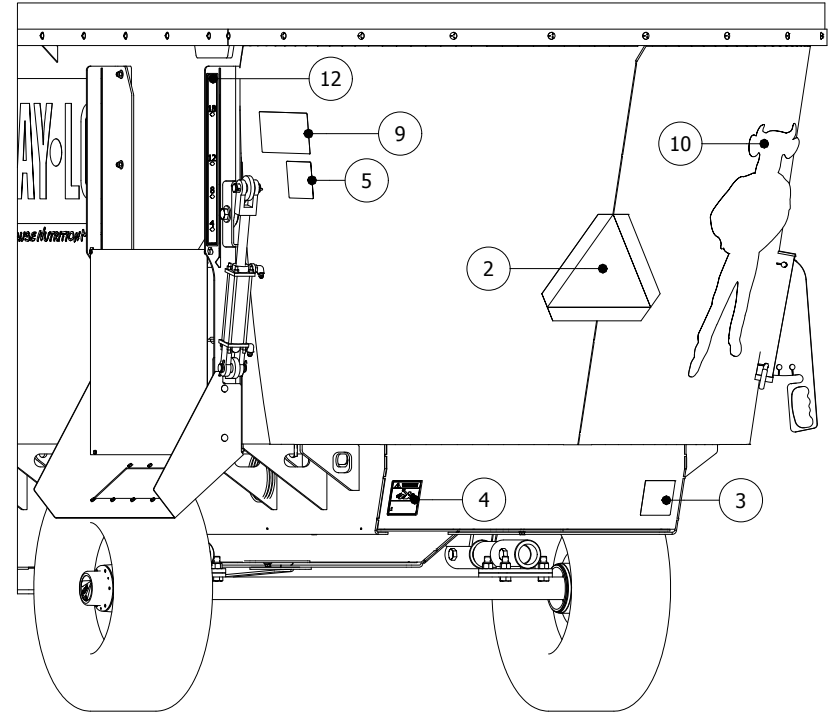
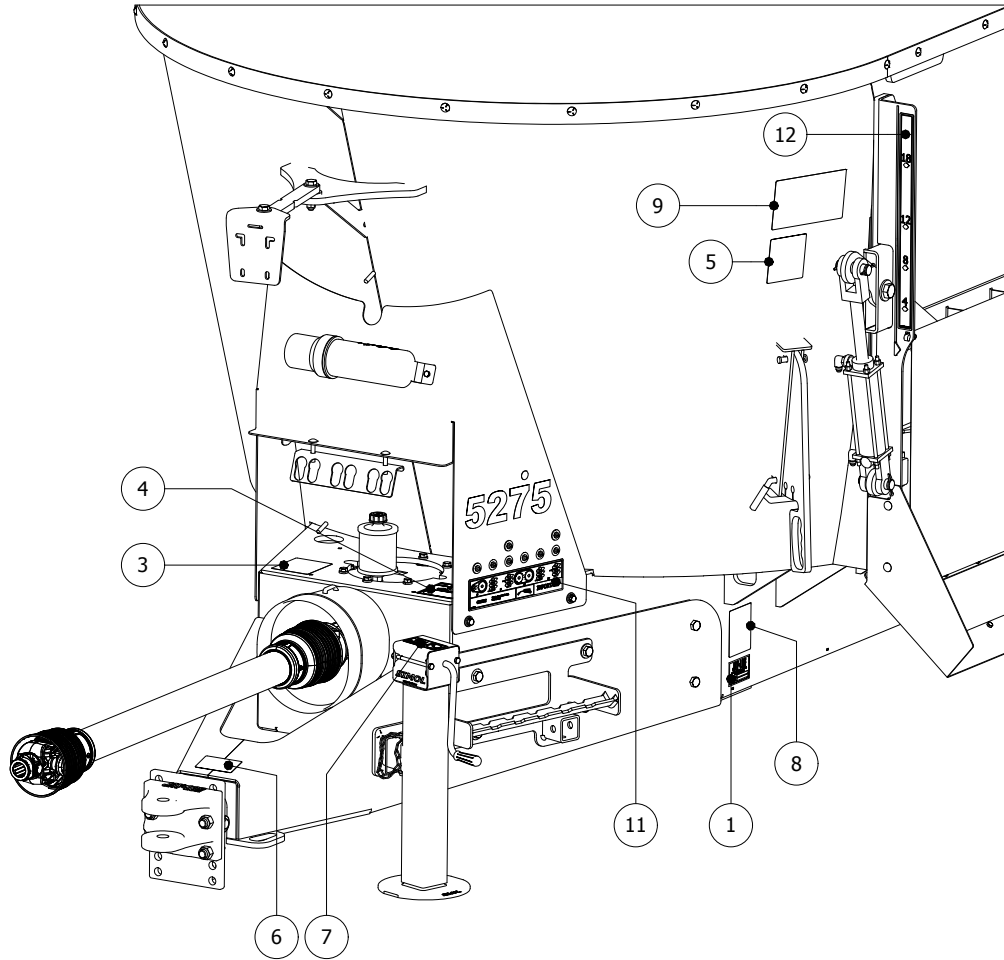
CONFIDENTIAL: THESE DRAWINGS AND COPIES THEREOF REMAIN THE PROPERTY OF JAY-LOR FABRICATING INC. ANY PERSON FOUND UNLAWFULLY USING, DISTRIBUTING, OR IN POSSESSION OF THE ABOVE WILL BE PROSECUTED

O. 012 – DECALS

012

DECALS

Parts List			
ITEM	PART NUMBER	DESCRIPTION	QTY
1	AAB-012-00020	DECAL JAYLOR MODEL AND SERIAL NUMBER	1
2	AAB-012-00021	DECAL SLOW MOVING VEHICLE	1
3	AAB-012-00032 (5000)	DECAL DANGER DANGER ROTATING DRVLN	2
4	AAB-012-00033	DECAL WARNING ROTATING DRIVELINE HAZARD (540RPM)	2
5	AAB-012-00036 (5000)	DECAL WARNING HIGH PRESSURE FLUID HAZARD	2
6	AAB-012-00038 (5000)	DECAL CAUTION NOT FOR HIGHWAY TRAVEL (5000)	1
7	AAB-012-00044	DECAL IMPORTANT GREASE	1
8	AAB-012-00061 (5000)	PATENTED DECAL 1200031	1
9	AAB-012-00116 (5000)	DECAL DANGER ROTATING AUGER PINCH POINT HAZARD	2
10	AAB-012-00147	DECAL JAYLOR BULL	1
11	AAB-012-00160	DECAL CENTRAL GREASE 5275	1
12	AAB-012-00168	DECAL C-SIDE DOOR HEIGHT MARKER	2



VIEW REP : DUAL LEFT DISCHARGE	SHEET 1 OF 1	R#	DATE	DESCRIPTION	DR	CK
TITLE : SAFETY DECALS (5275)				FILE NO : AAA-054-00327.idw		

DRWN : CDiRamio	TOLERANCES (UNLESS SPECIFIED OTHERWISE)	JAY-LOR Fabricating Inc
DATE : 11/20/2015	FRACTIONAL ± 1/16"	
	DEC X.X ± 0.1"	
	DEC X.XX ± 0.06"	
	DEC X.XXX ± 0.031"	
MAT :	ANGULAR ± 0.5°	

CONFIDENTIAL: THESE DRAWINGS AND COPIES THEREOF REMAIN THE PROPERTY OF JAY-LOR FABRICATING INC. ANY PERSON FOUND UNLAWFULLY USING, DISTRIBUTING, OR IN POSSESSION OF THE ABOVE WILL BE PROSECUTED